



TABLE OF CONTENT

SYSTEM OVERVIEW

- 03 PARTS LIST
- 05 TOOLS & SAFETY EQUIPMENT
- 06 APPLICATIONS
- 07 MODULARITY – THE SYSTEM & REFERENCES
- 09 PANEL CONFIGURATIONS

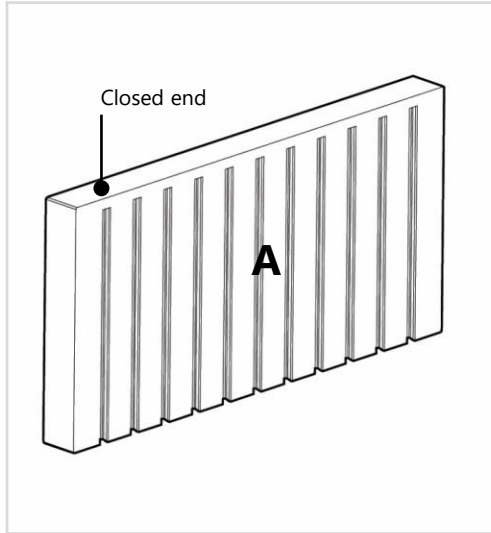
INSTALLATION

- 10 OUTER CORNER INSTALLATION
- 11 INNER CORNER INSTALLATION
- 12 JOINING PLATE INSTALLATION
- 13 STRETCHER BAR INSTALLATION
- 15 6x36 PANEL – COPING & ACCENT INSTALLATION
- 18 INTEGRATING WOOD
- 22 BASE PREPARATION
- 23 PLANTER BOX DETAIL
- 24 ROOFTOP APPLICATIONS
- 25 HANDLING
- 26 TIPS AND TRICKS

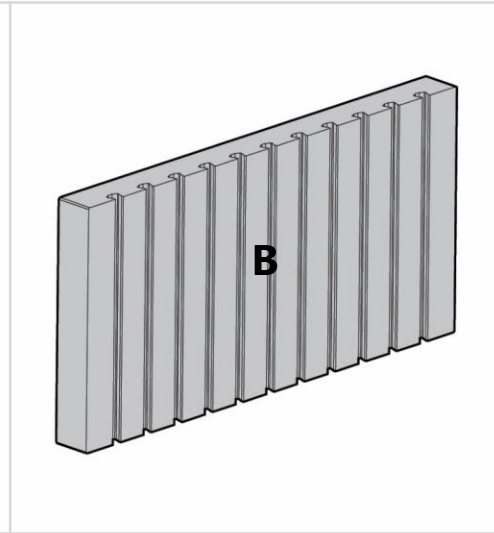
TERMS & CONDITIONS

PARTS LIST - CONCRETE PANELS

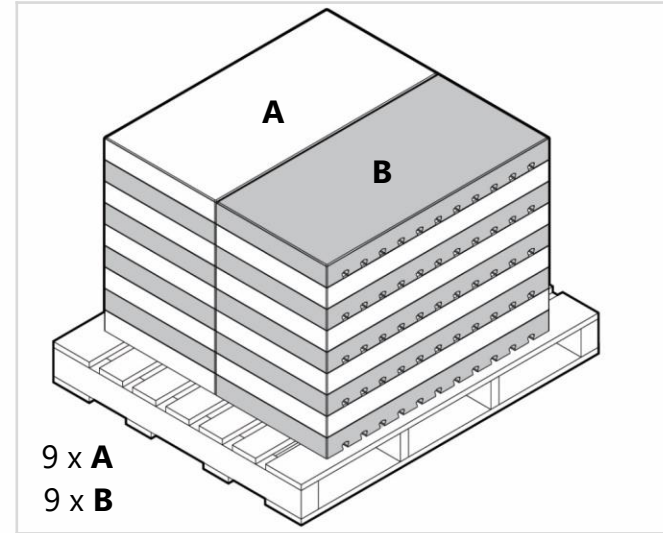
18 x 36 x 3" (150 lb)
457 x 914 x 76 mm (67 kg)



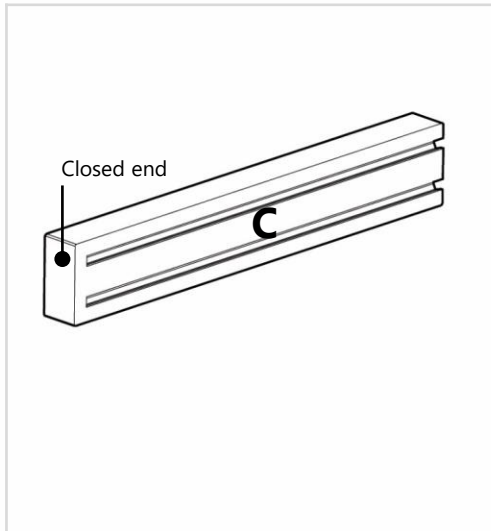
18 x 36 x 3" (148 lb)
457 x 914 x 76 mm (66 kg)



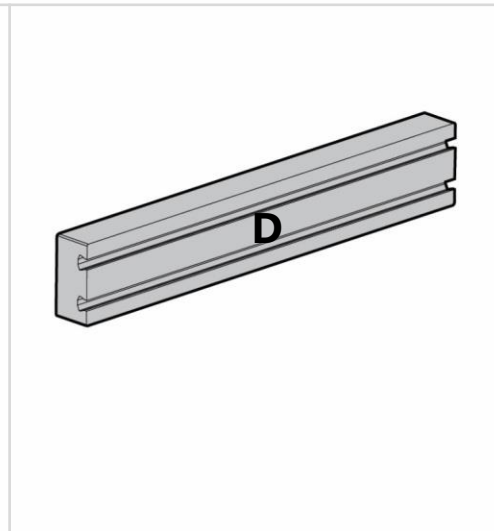
***40 x 48" Pallet (18 units/pallet)**



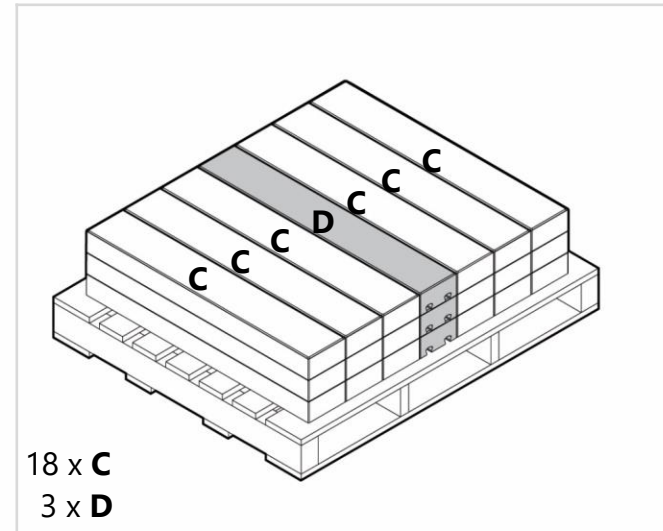
6 x 36 x 3" (49 lb)
152 x 914 x 76 mm (22 kg)



6 x 36 x 3" (49 lb)
152 x 914 x 76 mm (22 kg)



***40 x 48" Pallet (21 units/pallet)**

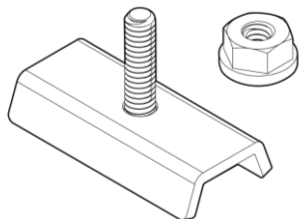


***IMPORTANT:** 18x36" panels are sold in pair/layer or in full pallet only. 6x36" panels are sold per unit or in layer or in full pallet.

PARTS LIST - HARDWARE (STAINLESS STEEL)

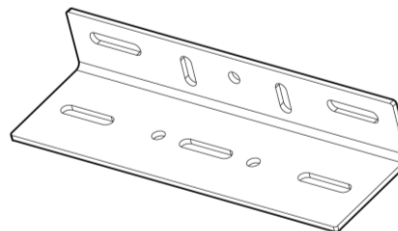
Anchor Slide – 1/4" x 20 stud & nut

2 x 1 1/4 x 1" (51 x 33 x 25 mm)
100 units/box



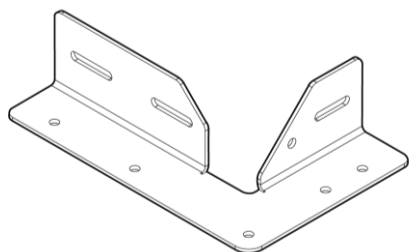
***Joining Plate**

8 1/4 x 2 1/2 x 1 1/2" (209 x 63 x 38 mm)
40 units/box



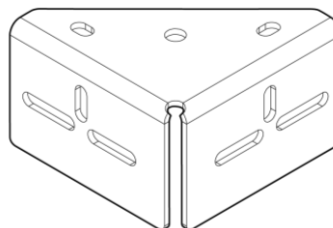
***Inner Corner**

9 x 6 x 2 1/2" (232 x 155 x 63 mm)
24 units/box



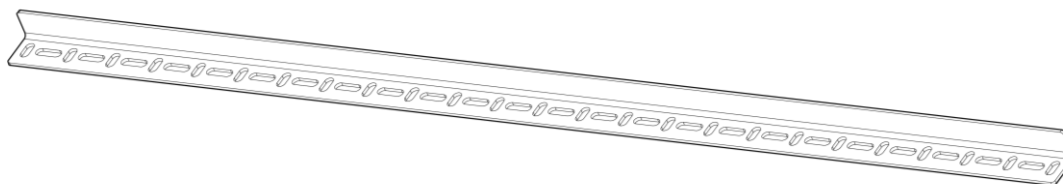
***Outer Corner**

4 x 4 x 2 1/2" (101 x 101 x 63 mm)
48 units/box



***Stretcher Bar**

36 3/4 x 1 1/4 x 1" (933 x 33 x 25 mm)
10 units/box

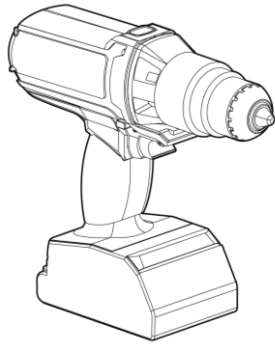


*** NOTE:** Can be sold separately.

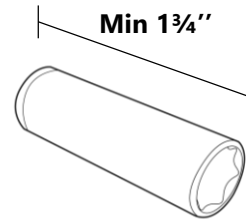
TOOLS & SAFETY EQUIPMENT

REQUIRED TOOLS

Drill



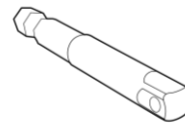
**Deep Hex Socket
7/16" with 1/4"
Drive**



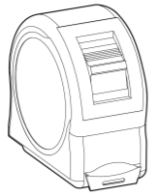
Mallet



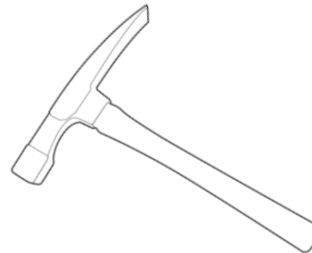
**Socket Adaptor
1/4" Hex shank to
1/4" Drive**



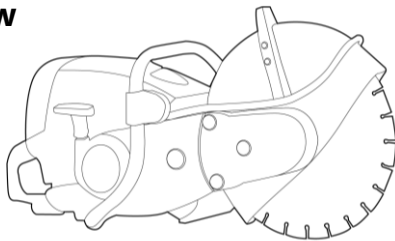
**Measuring
tape**



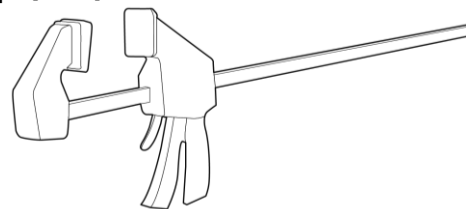
**Chipping
Hammer**



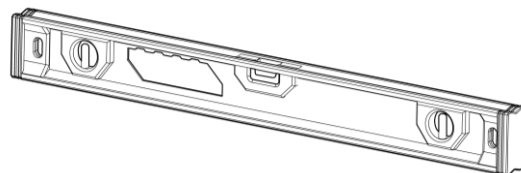
Saw



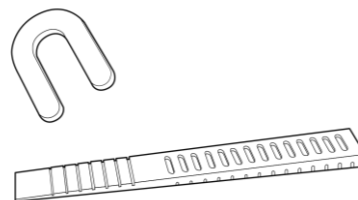
Bar Clamp (48")



Level



Plastic shims

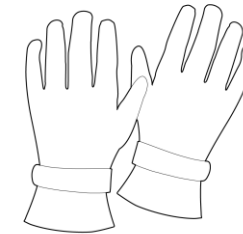


SAFETY EQUIPMENT

Safety boots



Gloves



Safety glasses



Mask



APPLICATIONS

Planter Box/Bench



Privacy Wall



* Firepit



Furniture



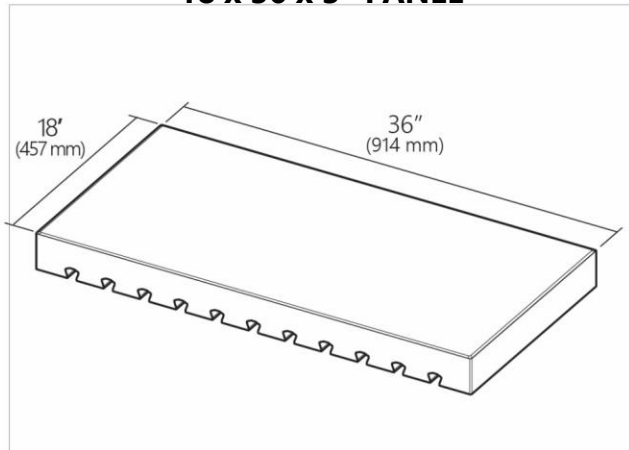
* Outdoor Kitchen



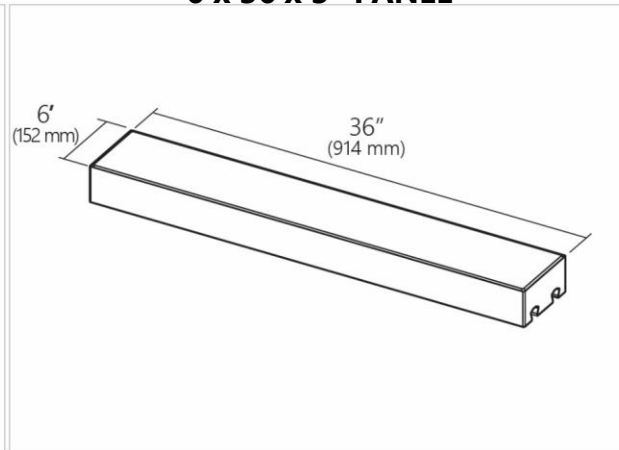
*** IMPORTANT:** For all complementary appliances/accessories to the **ARTEX** panel system, follow manufacturer's instructions/guidelines. Consult qualified services person/ experts to validate installations, repairs, safety recommendations and any other related topics.

MODULARITY – THE SYSTEM

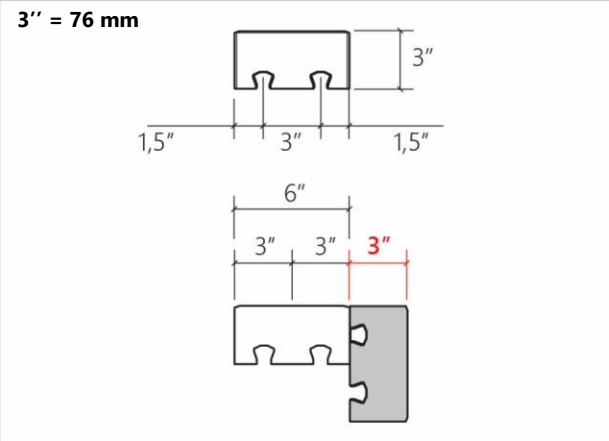
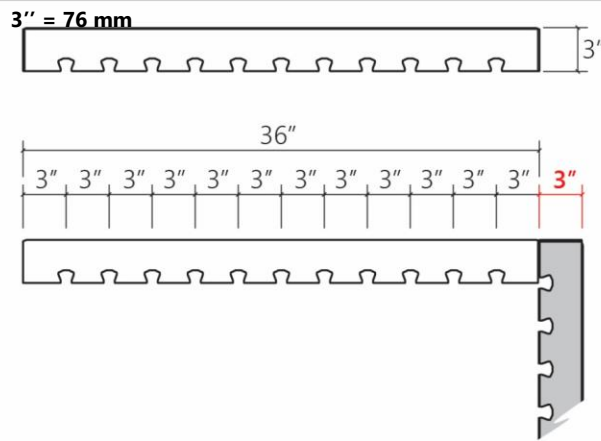
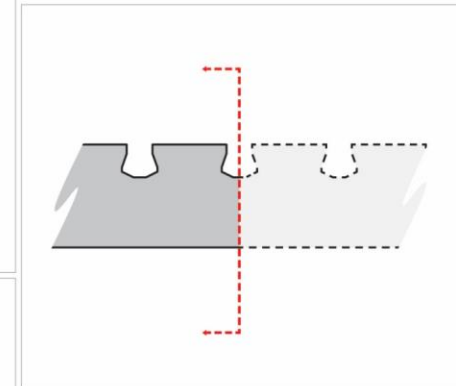
18 x 36 x 3" PANEL



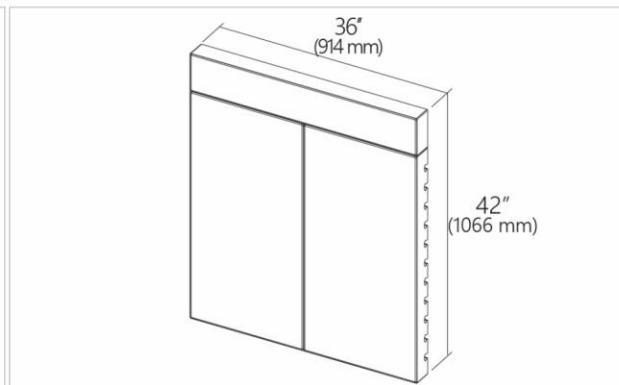
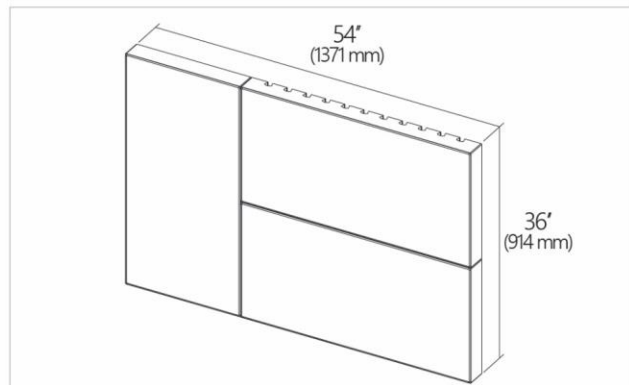
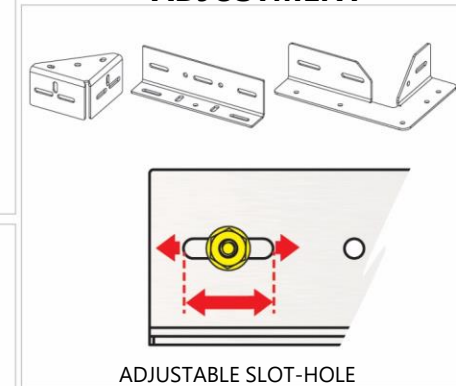
6 x 36 x 3" PANEL



**RECOMMENDED :
CUT IN THE MIDDLE OF
DOVETAIL**



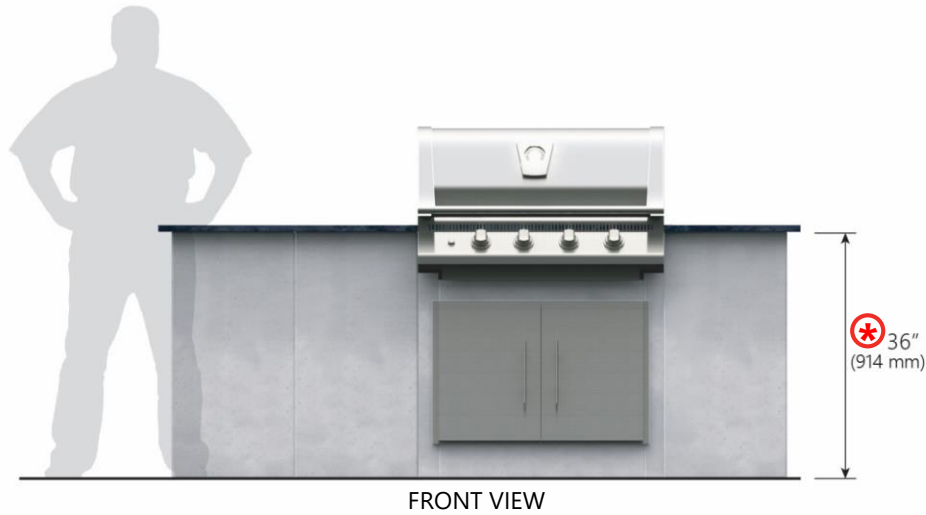
ADJUSTMENT



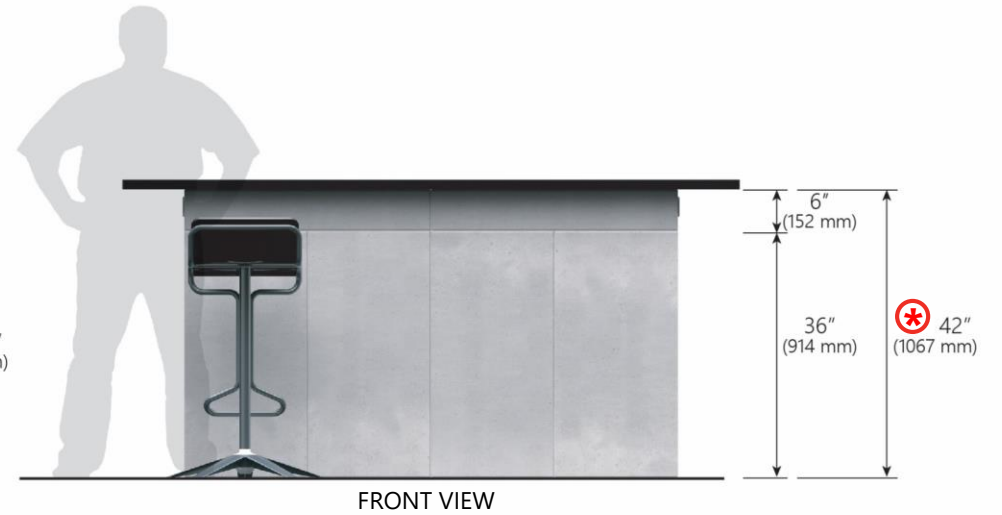
NOTE: It is recommended to design structures with overall dimensions using increments of **3" (76mm)**.

MODULARITY – REFERENCES

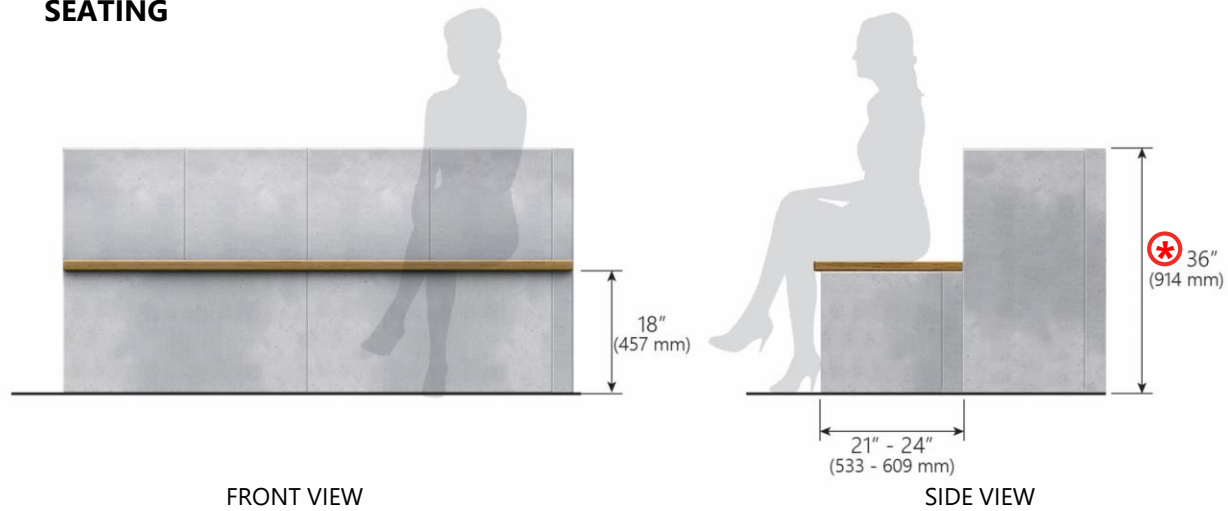
KITCHEN TABLE



BAR TABLE



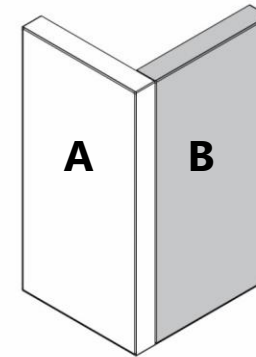
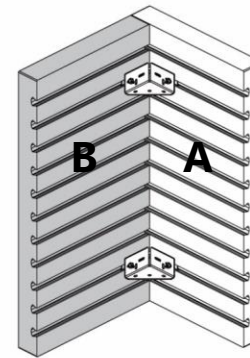
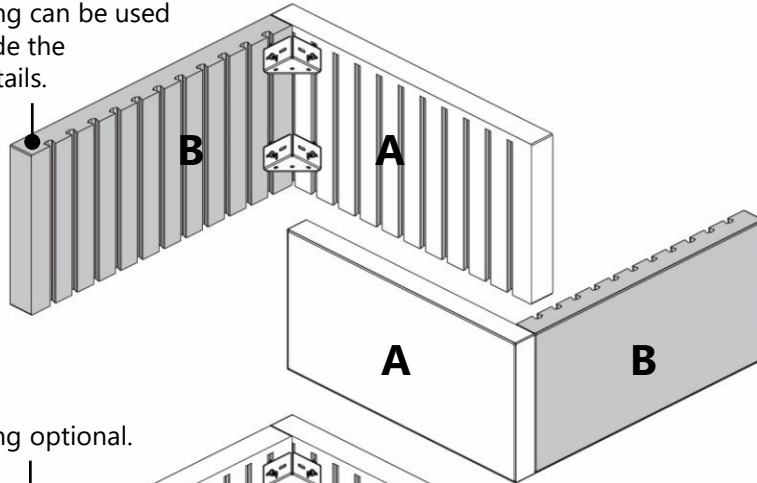
SEATING



NOTE: Maximum height of **36"** for planter box and **42"** for outdoor living structure. Any higher structure must be designed by an engineer.

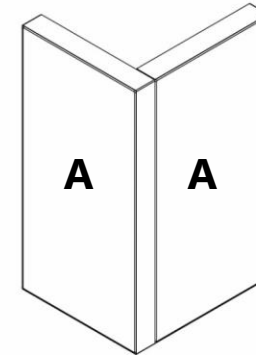
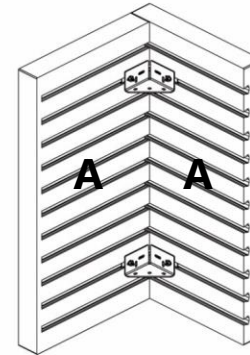
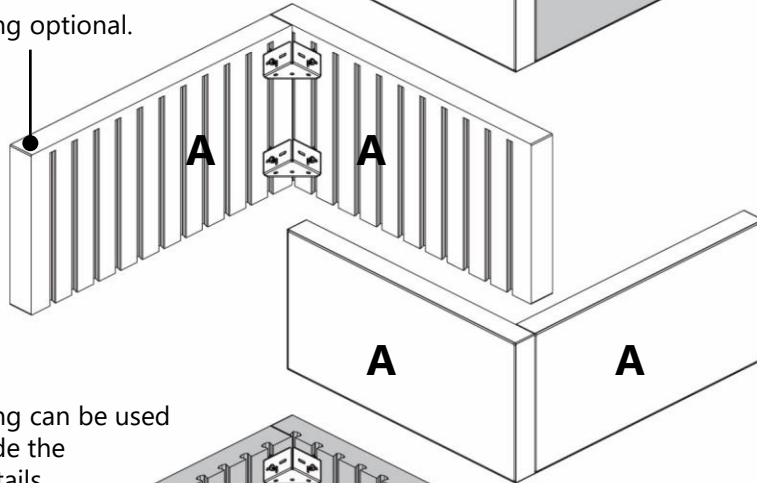
PANEL CONFIGURATIONS

Coping can be used to hide the dovetails.



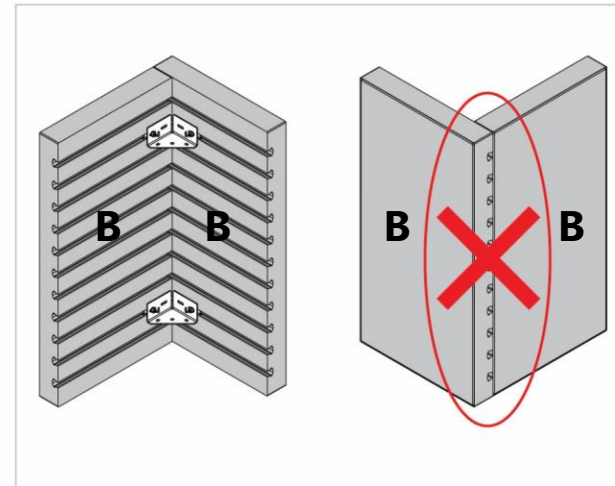
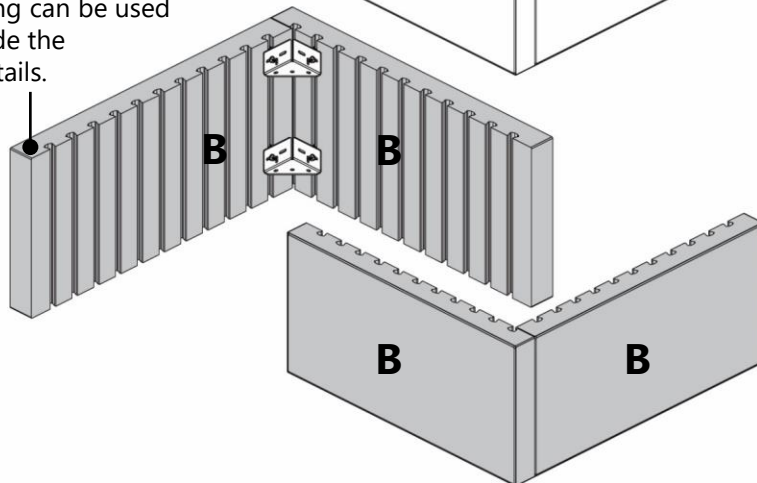
*** IDEAL:**
This configuration uses equal number of panel A and panel B.

Coping optional.



*** NOT OPTIMAL:**
This configuration uses panel A only.

Coping can be used to hide the dovetails.

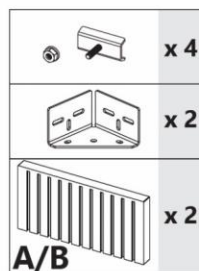
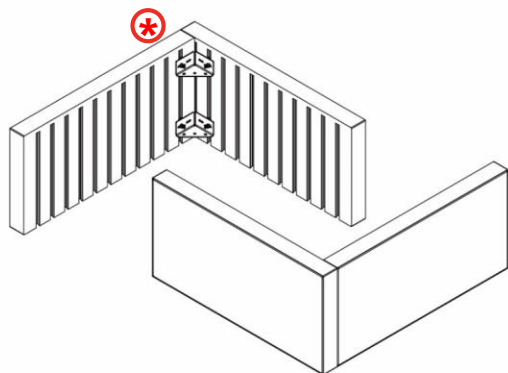


*** NOT RECOMMENDED:**
This configuration uses panel B only and the dovetails are exposed. Use ideal configuration as shown above.

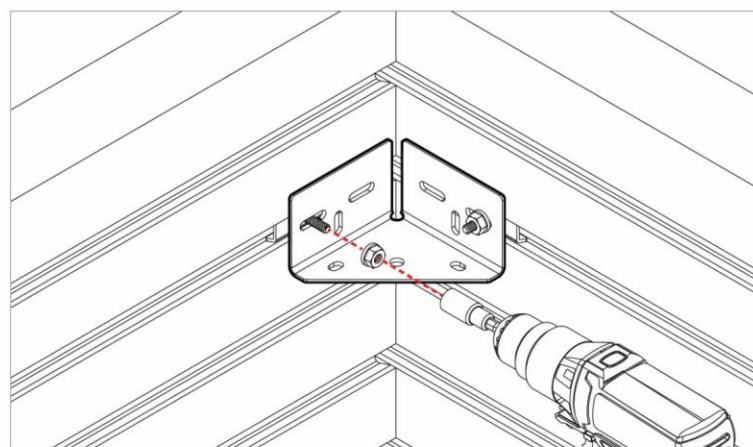
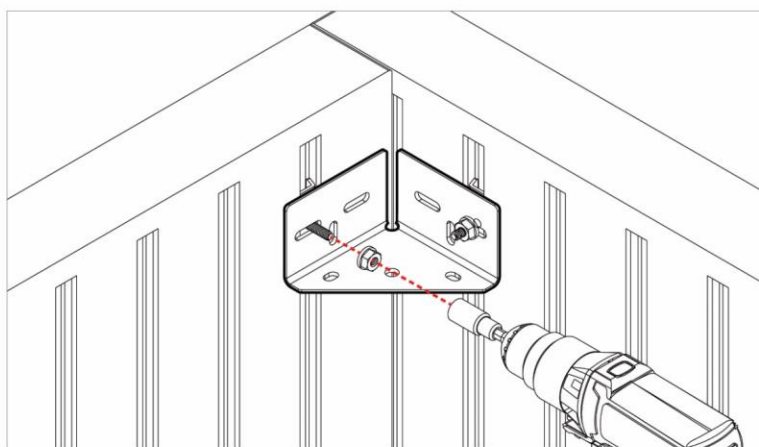
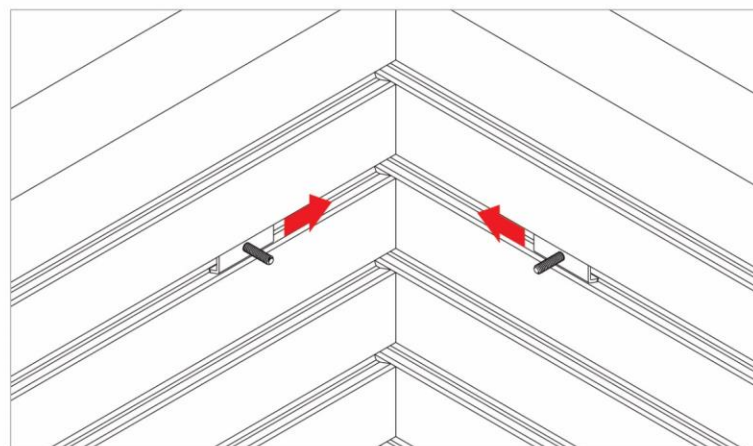
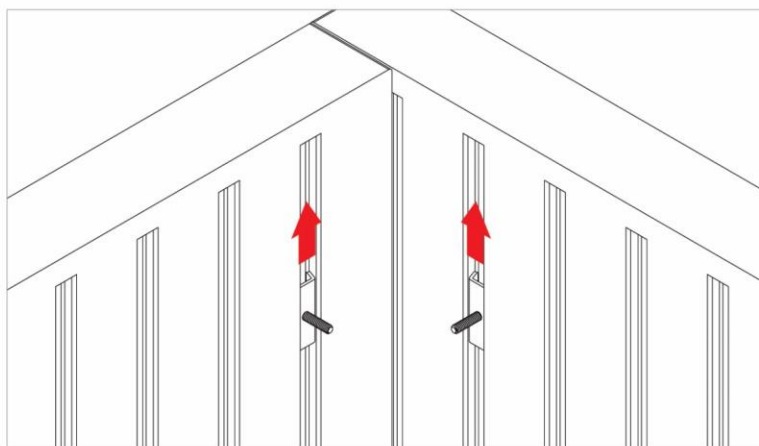
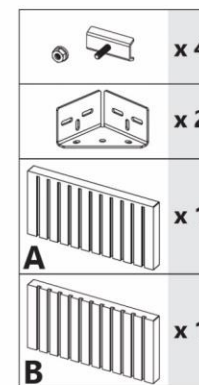
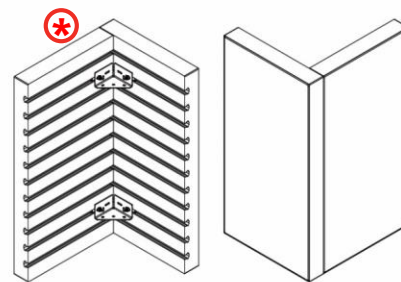
***IMPORTANT:** When planning configurations, consider the amount of panel A and panel B on a pallet. 18x36" panels are sold in pair/layer or in full pallet only. 6x36" panels are sold in layer or in full pallet only.

OUTER CORNER INSTALLATION

HORIZONTAL PANELS



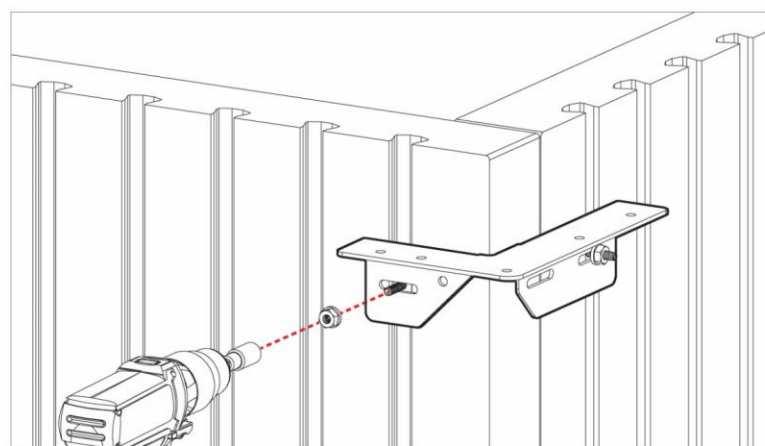
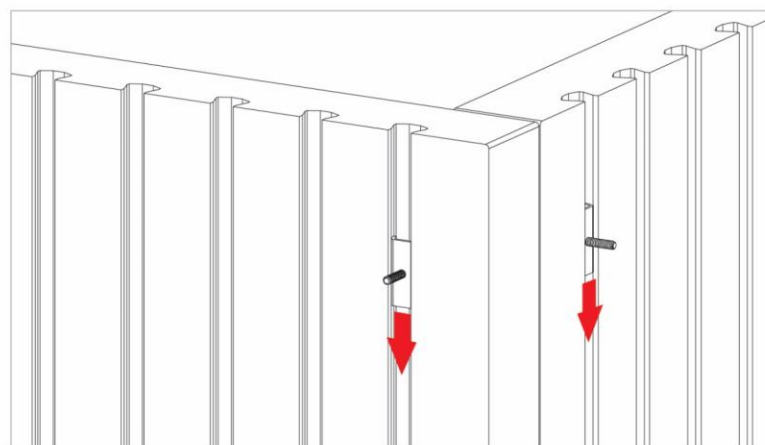
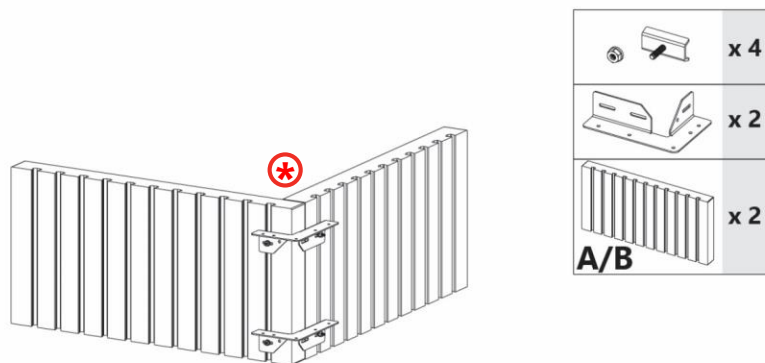
VERTICAL PANELS



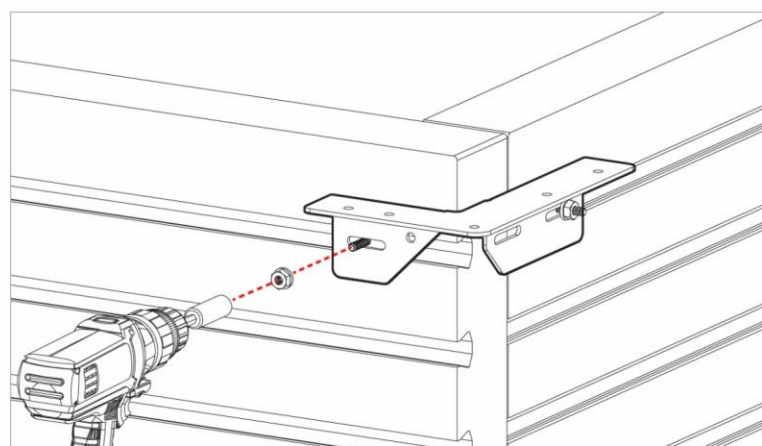
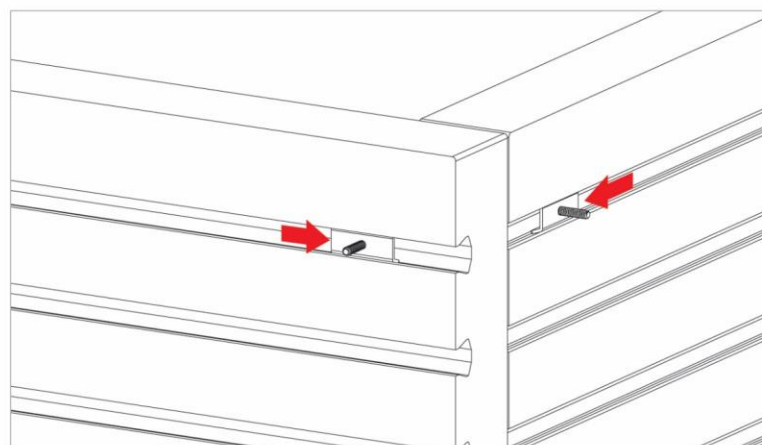
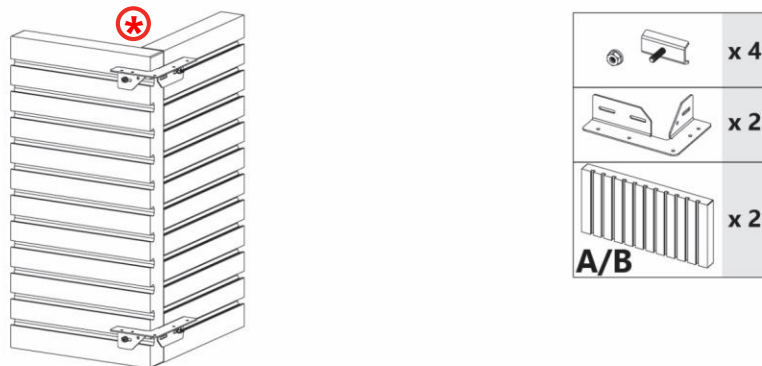
*** IMPORTANT:** Always use a minimum of 2 outer corner brackets per corner assembly.
 ▶ See Tips and tricks from page 26 for more details.

INNER CORNER INSTALLATION

HORIZONTAL PANELS



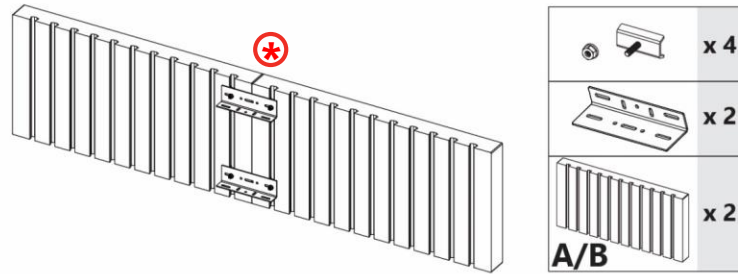
VERTICAL PANELS



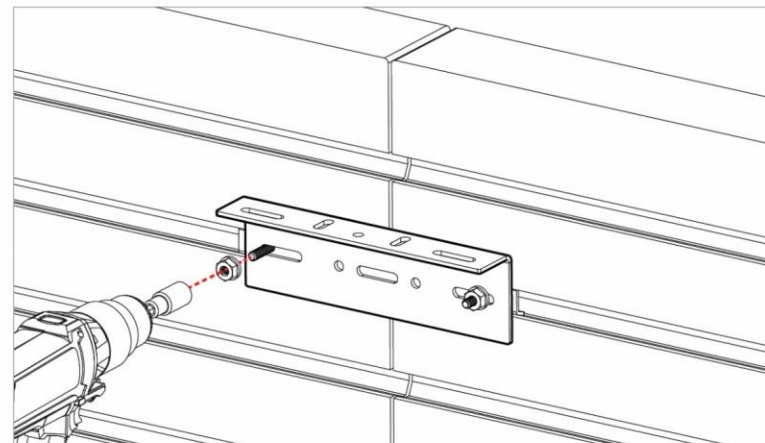
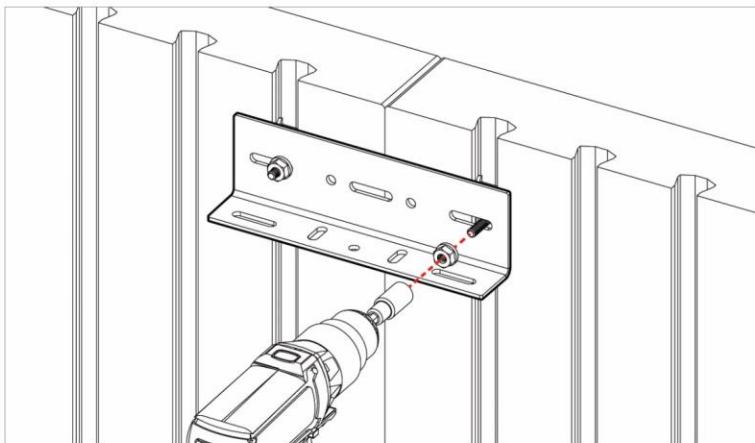
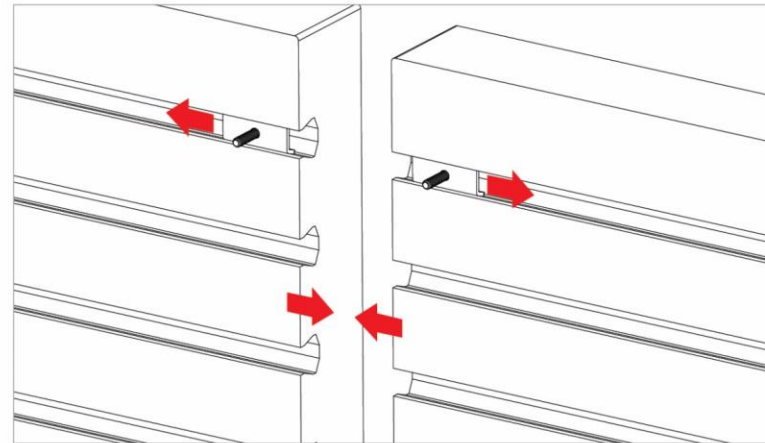
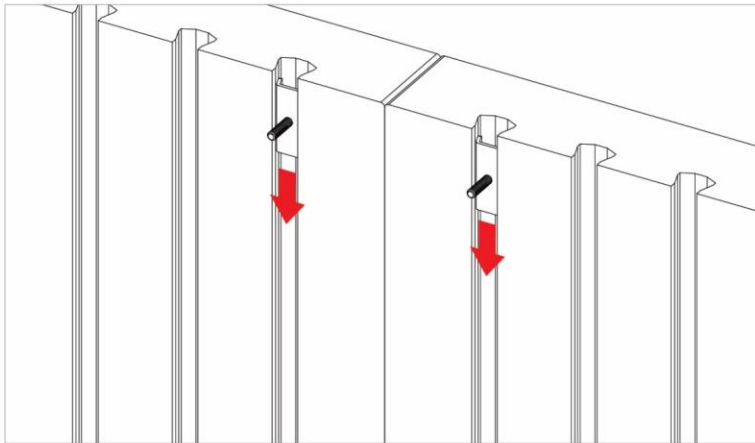
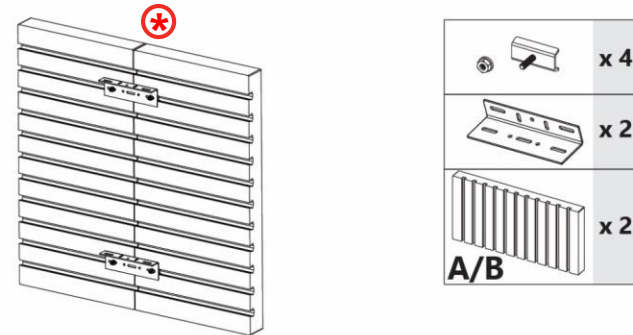
*** IMPORTANT:** Always use a minimum of 2 inner corner brackets per corner assembly.
 ▶ See Tips and tricks from page 26 for more details.

JOINING PLATE INSTALLATION

HORIZONTAL PANELS



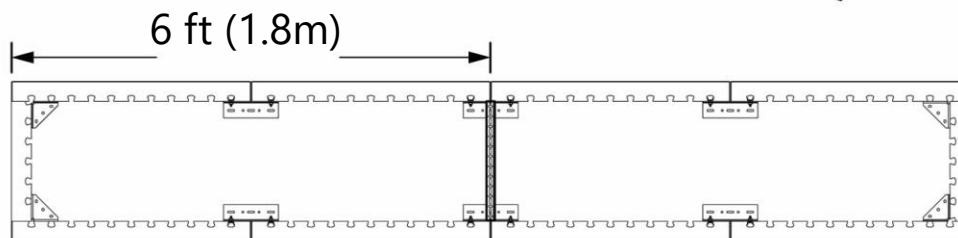
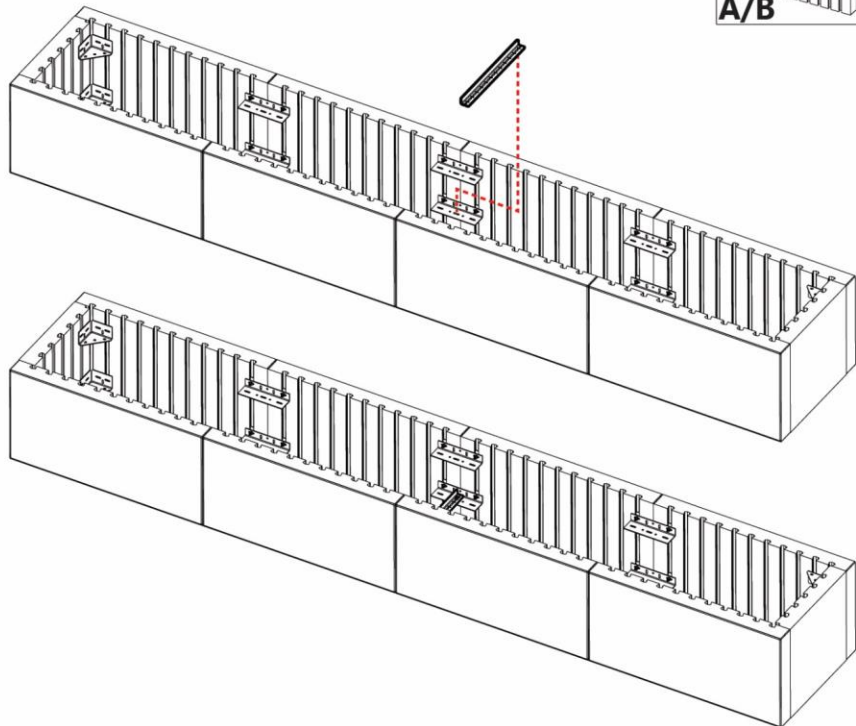
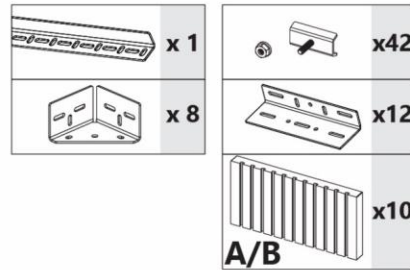
VERTICAL PANELS



*** IMPORTANT:** Always use a minimum of 2 joining plates when joining two parallel panels.
► See Tips and tricks from page 26 for more details.

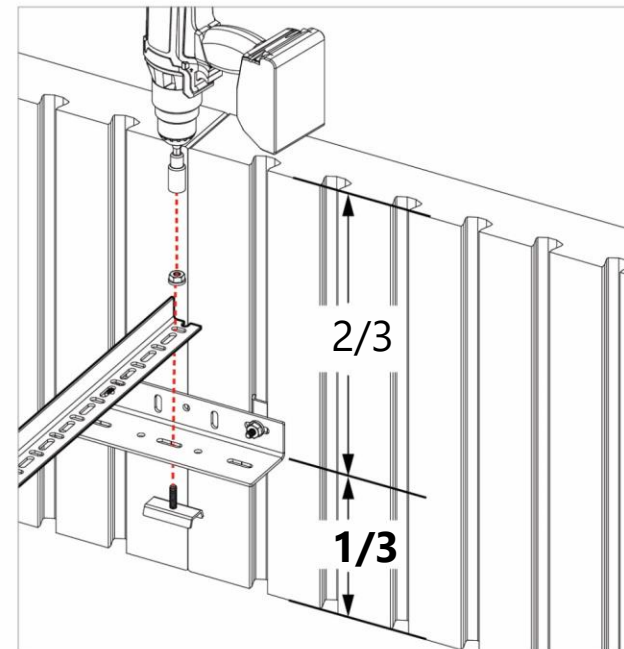
STRETCHER BAR INSTALLATION

HORIZONTAL PANELS

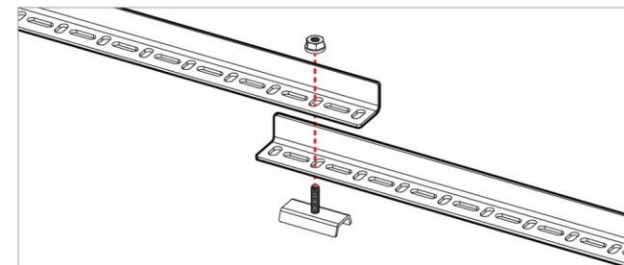


The stretcher bar keeps parallel 2 sets of panels facing each other. It is recommended to attach the stretcher bar to the joining plate every 6ft (1.8m). Place it at 1/3 of the total height from the bottom of assembly.

The stretcher bar must be cut to fit distance between 2 sets of panels.



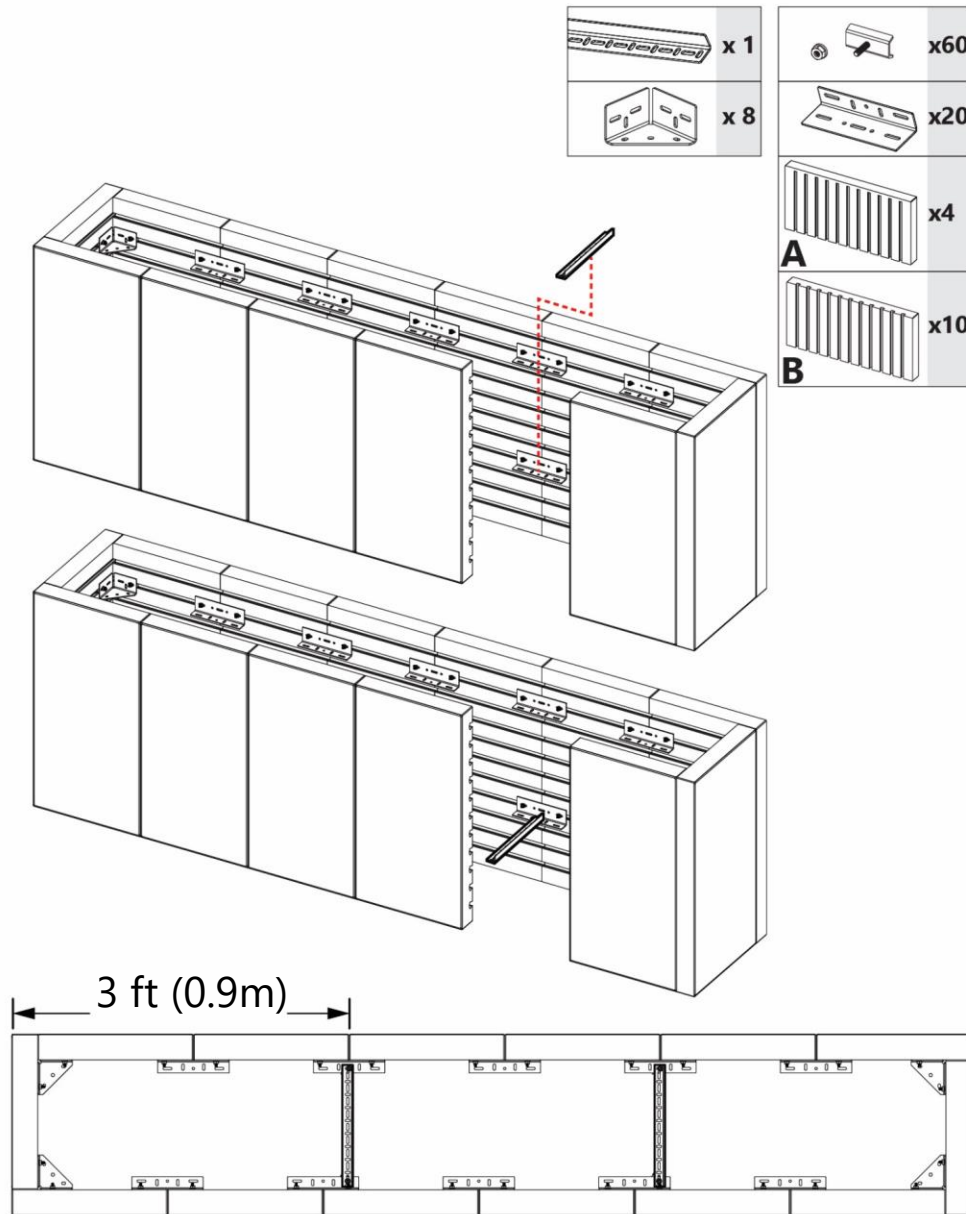
NOTE: The stretcher bar can be extended.



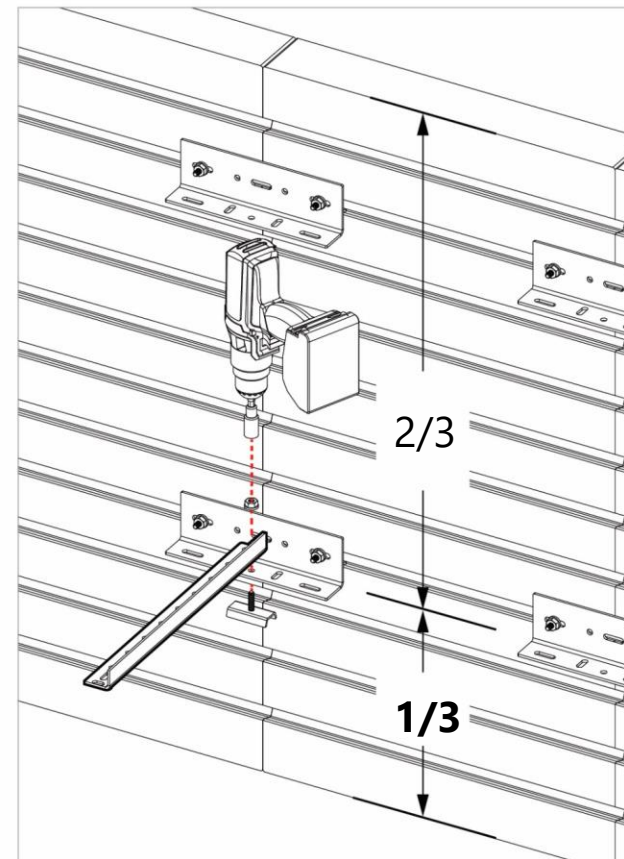
► See Tips and tricks from page 26 for more details.

STRETCHER BAR INSTALLATION

VERTICAL PANELS



The stretcher bar keeps parallel 2 sets of panels facing each other. It is recommended to attach the stretcher bar to the joining plate every 3ft (0.9m). Place it at approximately 1/3 of the total height from the bottom of assembly. The stretcher bar must be cut to fit distance between 2 sets of panels.

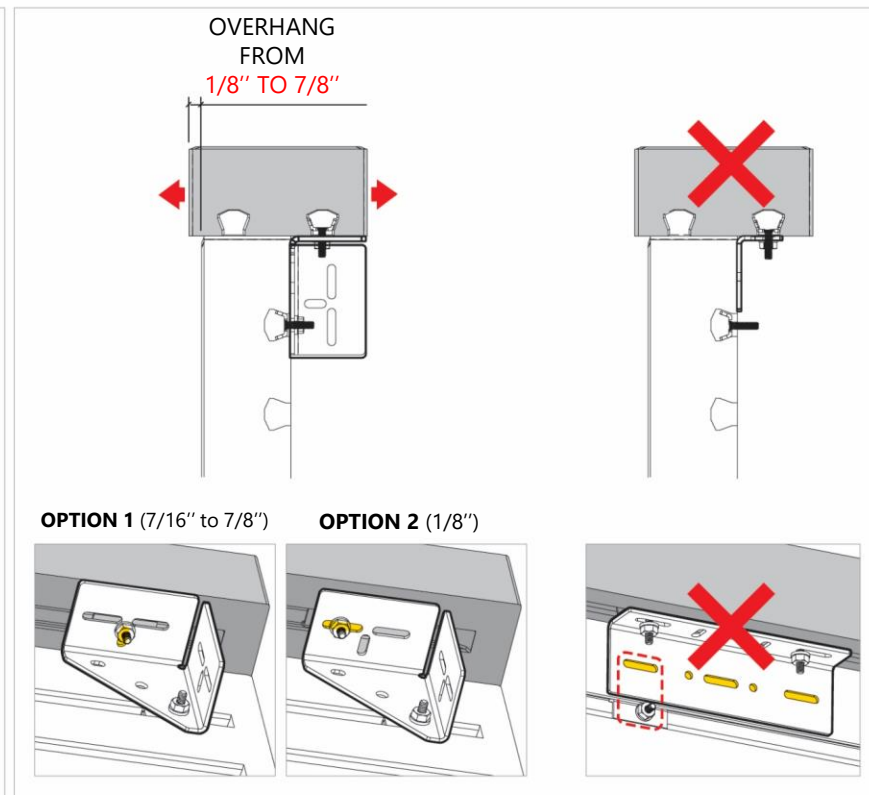
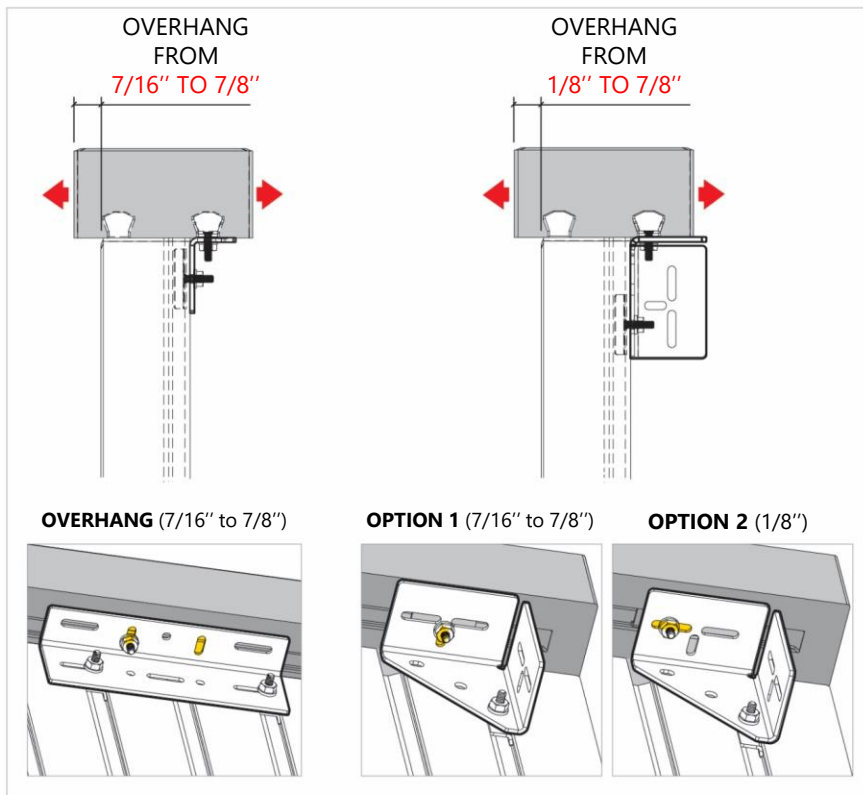
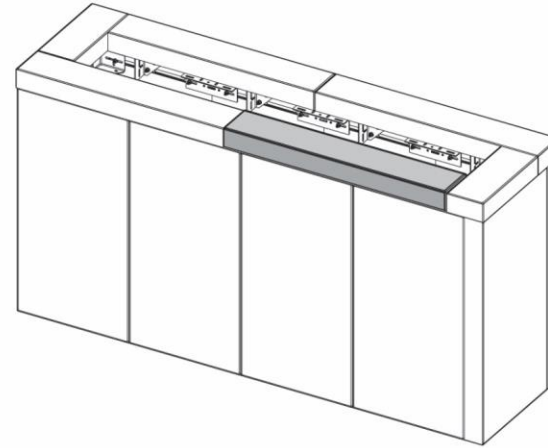
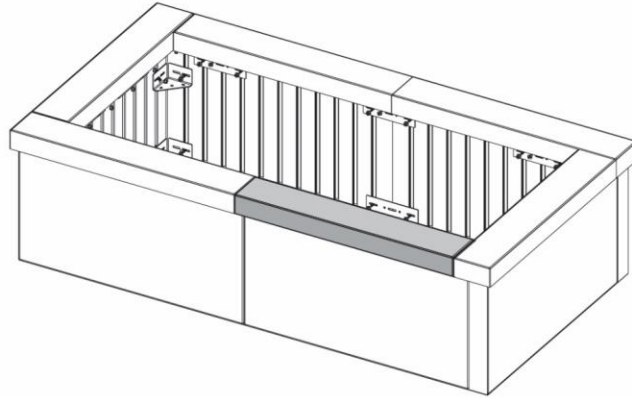


► See Tips and tricks from page 26 for more details.

6X36 PANEL – COPING INSTALLATION (MECHANICALLY FIXED)

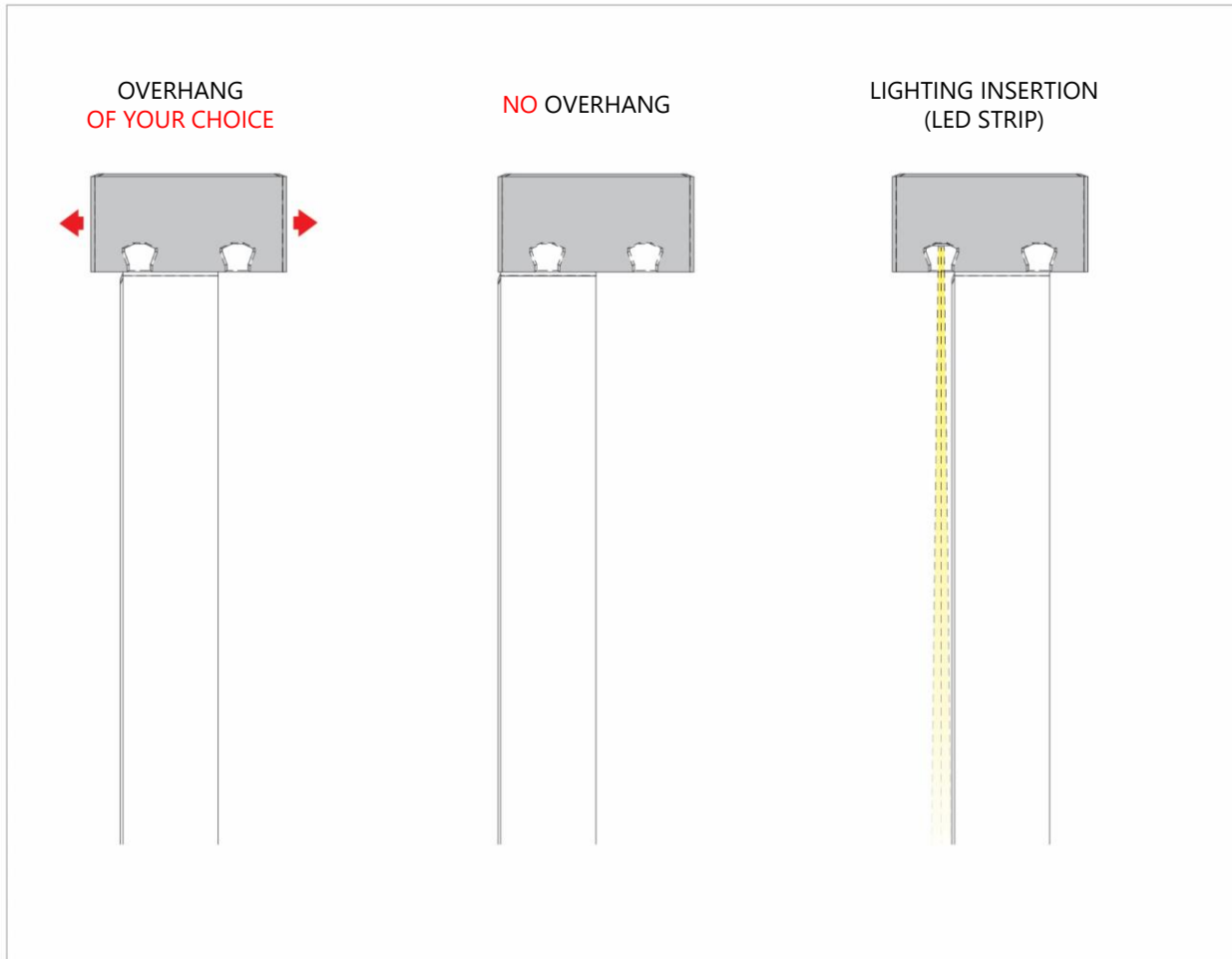
18 x 36 x 3" HORIZONTAL PANELS

18 x 36 x 3" VERTICAL PANELS



► See Tips and tricks from page 26 for more details.

6X36 PANEL – COPING INSTALLATION (FIXED WITH ADHESIVE)

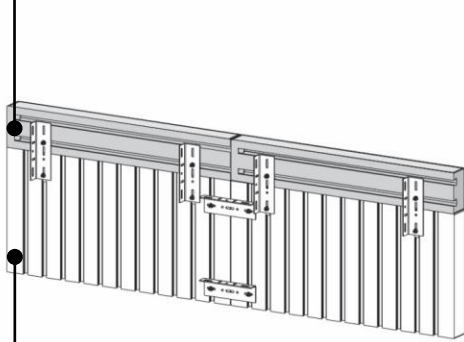


**FIXED USING
CONSTRUCTION GLUE
OR STRUCTURE BOND**

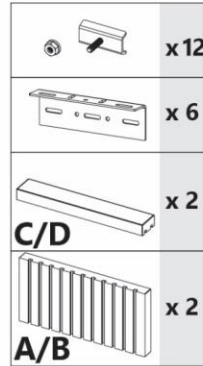


6X36 PANEL – ACCENT INSTALLATION

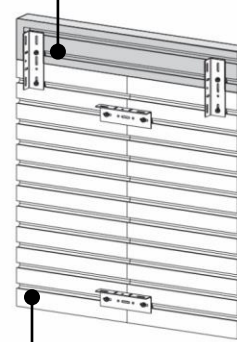
6 x 36 x 3" PANEL



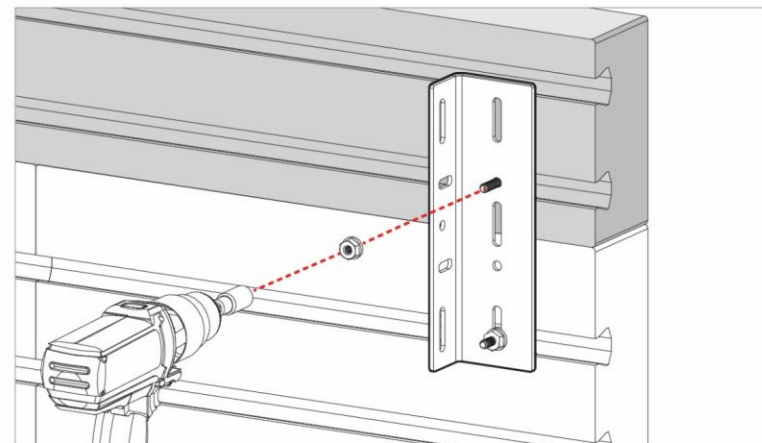
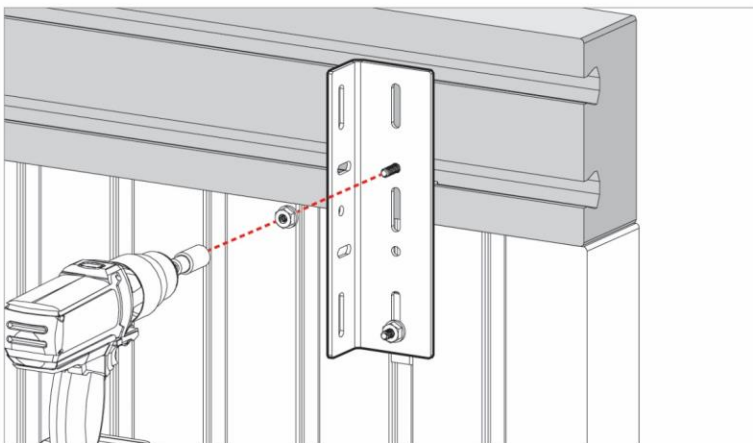
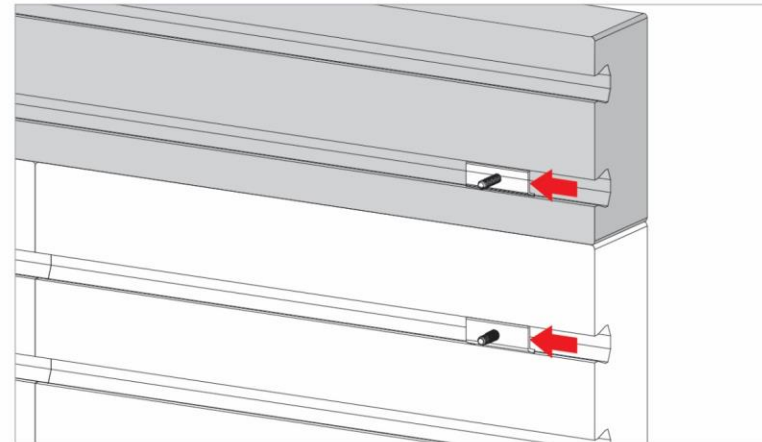
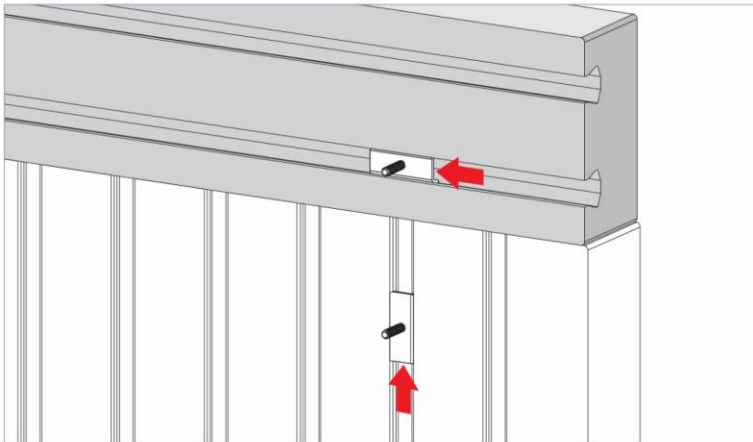
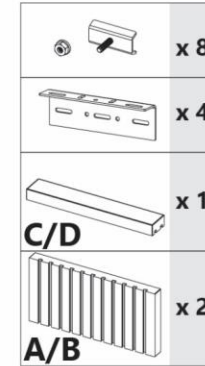
18 x 36 x 3" HORIZONTAL PANEL



6 x 36 x 3" PANEL



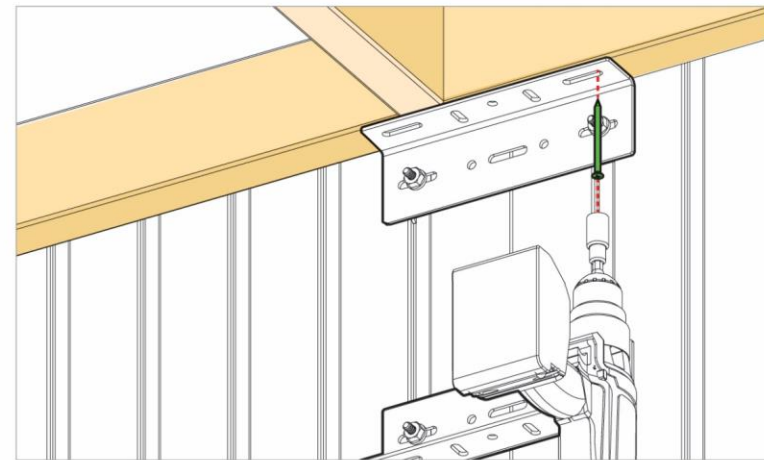
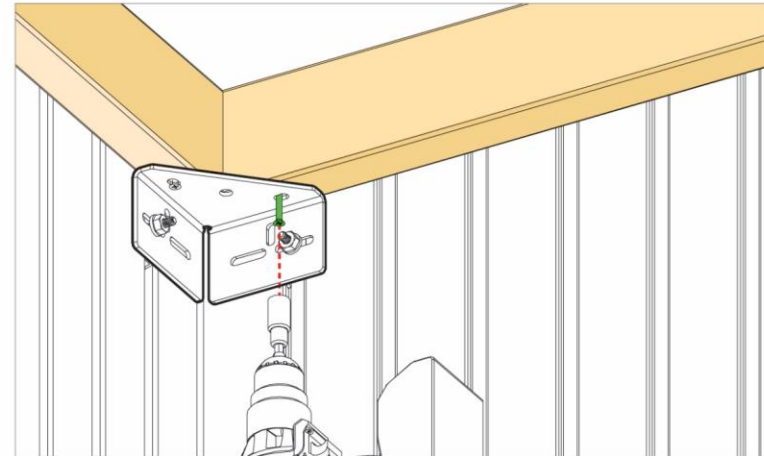
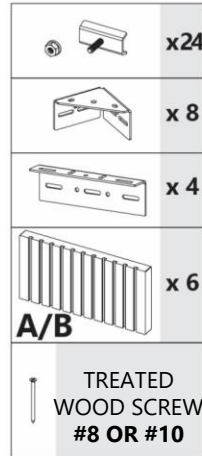
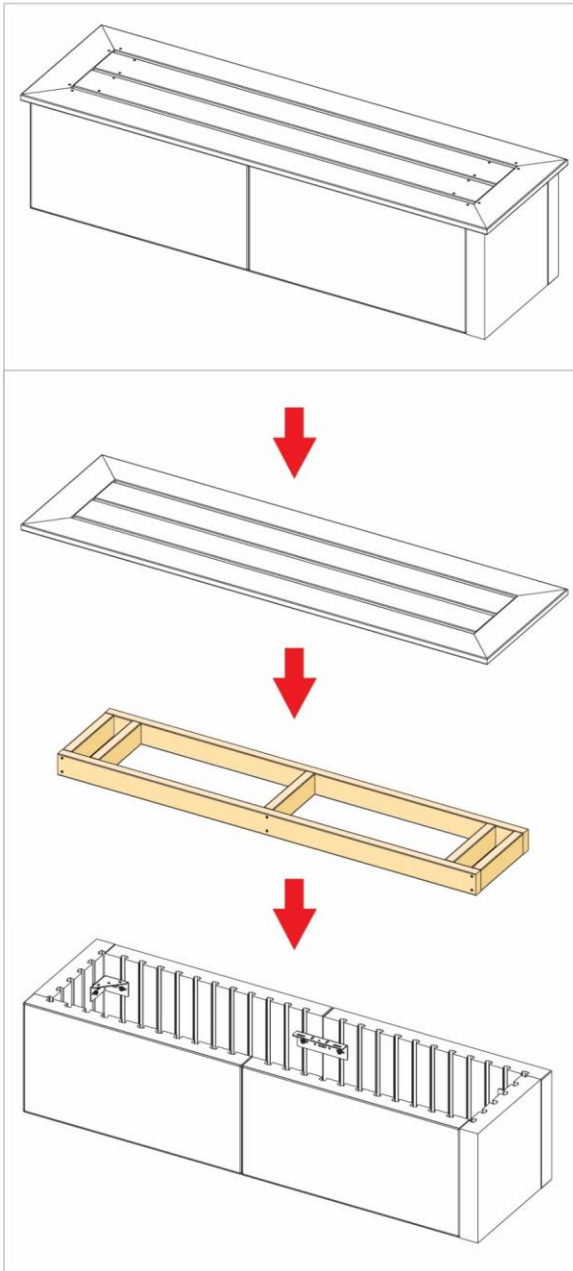
18 x 36 x 3" VERTICAL PANEL



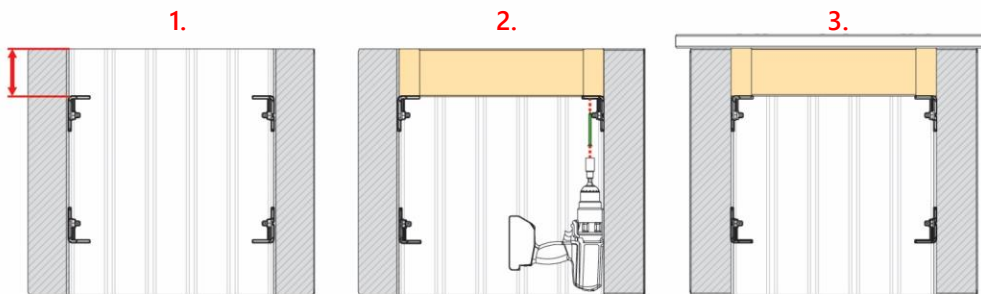
⚠ IMPORTANT: Always use a minimum of 2 joining plates when joining 6x36 panel with 18x36 panel
 ▶ See Tips and tricks from page 26 for more details.

INTEGRATING WOOD

BENCH



INSTALL THE HARDWARE ACCORDING TO WOOD SIZE

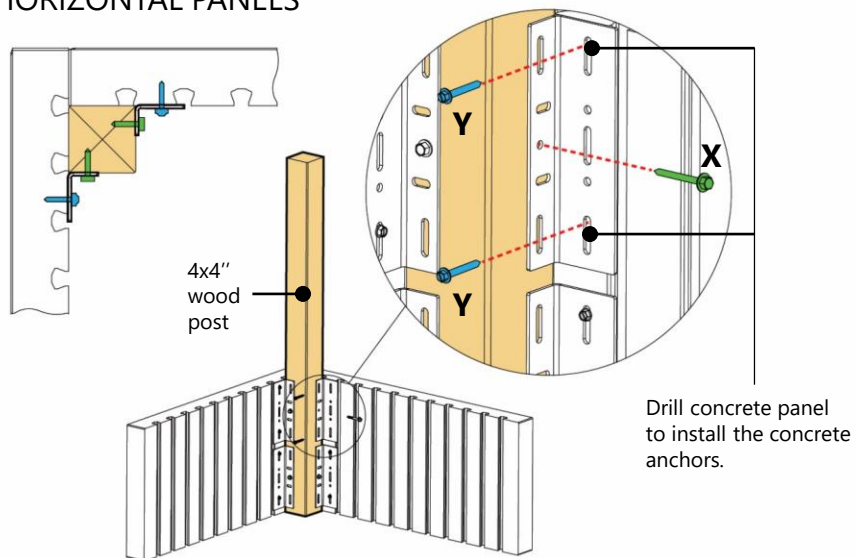


SECTION VIEW

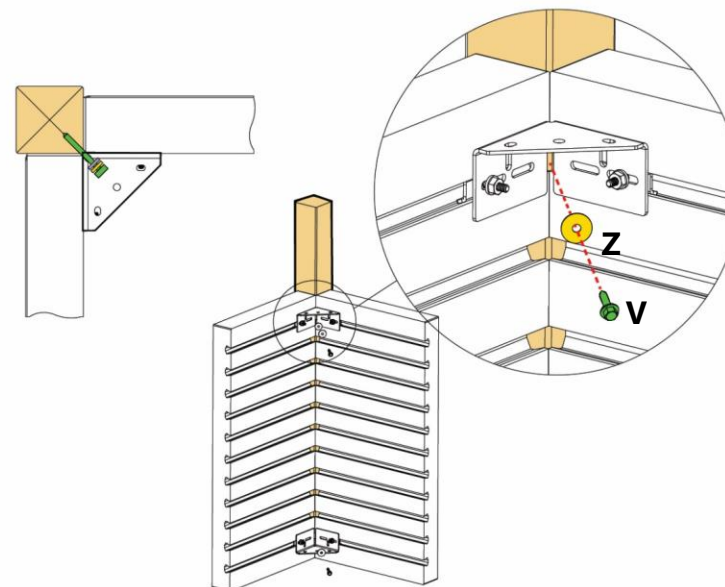
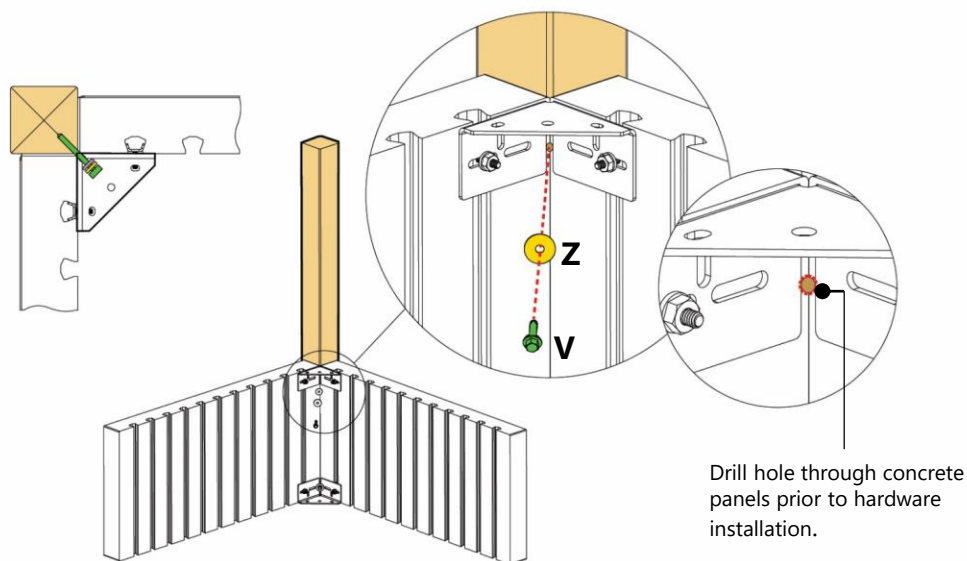
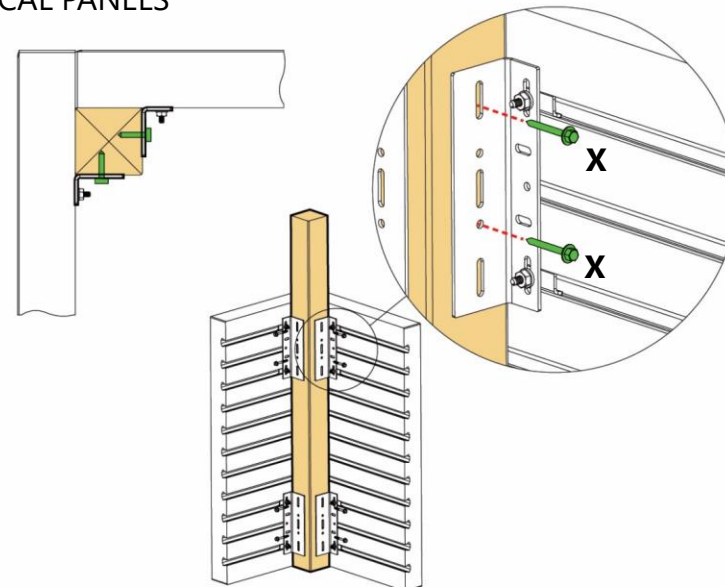
► See Tips and tricks from page 26 for more details.

INTEGRATING 4x4" WOOD POSTS

HORIZONTAL PANELS



VERTICAL PANELS



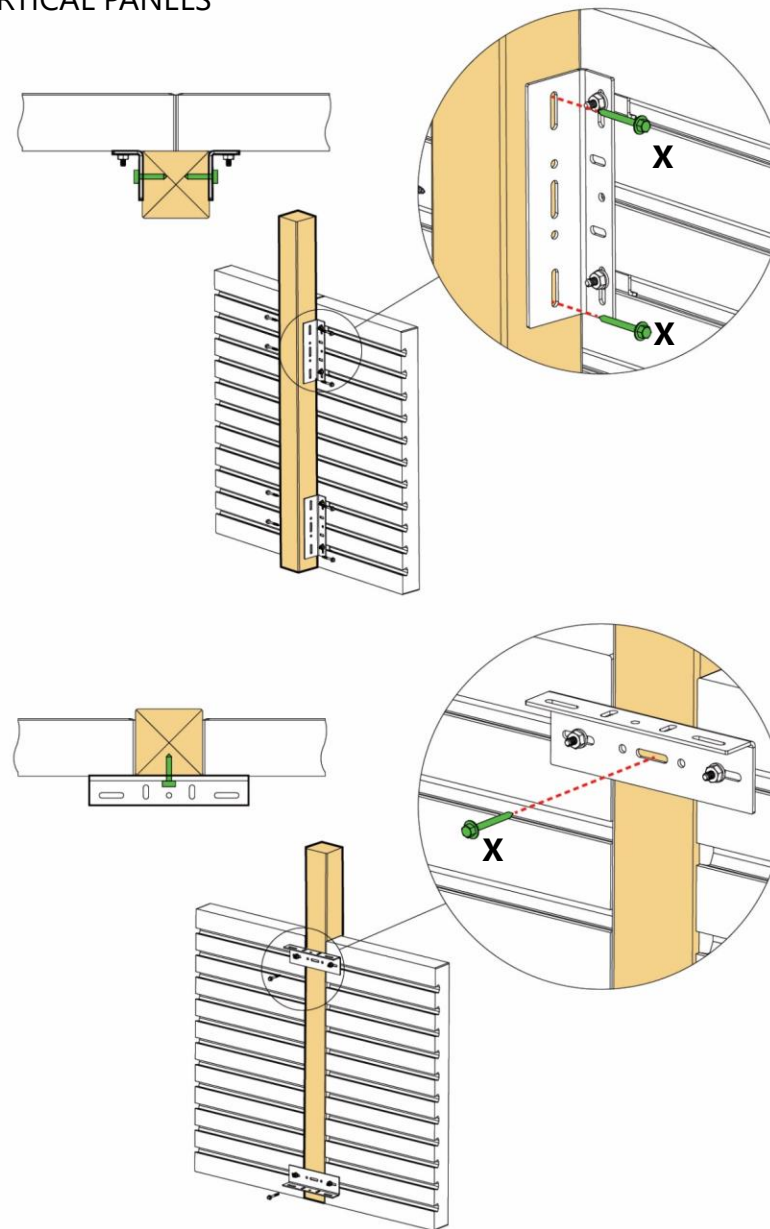
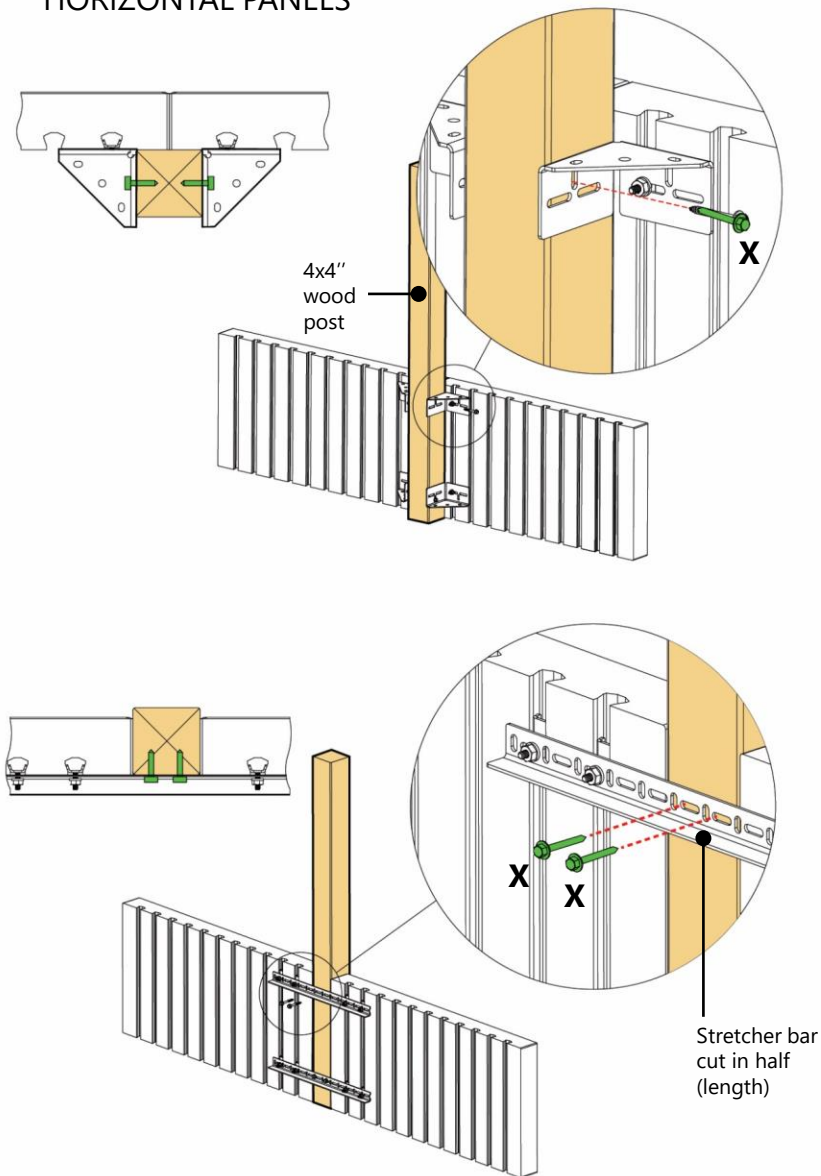
X=Stainless Steel Wood Screw Flat Head #10 x 2 1/2" **V= Stainless Steel Lag screws 1/4 x 2 1/2" or 5/16 x 2 1/2"**
Y =Treated Concrete Anchor (Tapcon®) 1/4"x1 3/4" or 3/16"x1 3/4" **Z=Stainless Steel Oversized Washer 5/16"**

IMPORTANT: Other types of hardware (not included) may be required to make these assemblies (wood screws, concrete anchors, etc.).
PERMACON is not responsible for any issue regarding other materials, accessories, other types of hardware, etc. Refer to terms and conditions section. 19
 We recommend consulting an expert/engineer to determine the maximum installation height of the screen panels based on wind loads.

INTEGRATING 4x4" WOOD POSTS

HORIZONTAL PANELS

VERTICAL PANELS

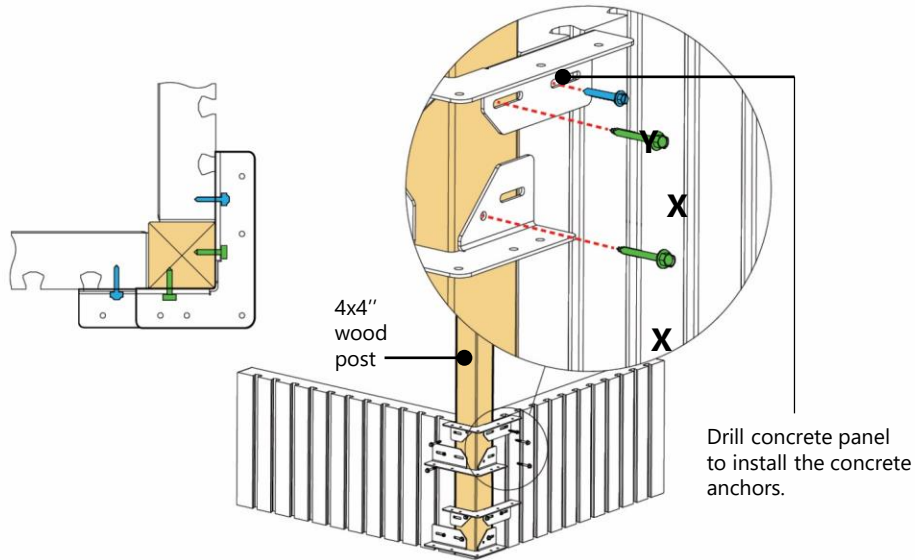


X=Stainless Steel Wood Screw Flat Head #10 x 2½" **V= Stainless Steel Lag screws 1/4 x 2½" or 5/16 x 2½"**
Y =Treated Concrete Anchor (Tapcon®) 1/4"x1¾" or 3/16"x1¾" **Z=Stainless Steel Oversized Washer 5/16"**

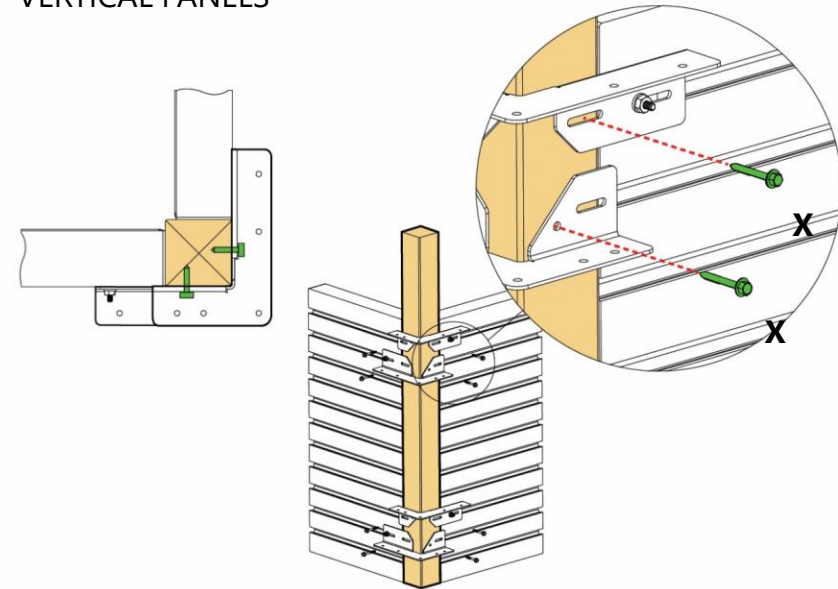
IMPORTANT: Other types of hardware (not included) may be required to make these assemblies (wood screws, concrete anchors, etc.). **PERMACON** is not responsible for any issue regarding other materials, accessories, other types of hardware, etc. Refer to terms and conditions section. 20 We recommend consulting an expert/engineer to determine the maximum installation height of the screen panels based on wind loads.

INTEGRATING 4x4" WOOD POSTS

HORIZONTAL PANELS



VERTICAL PANELS

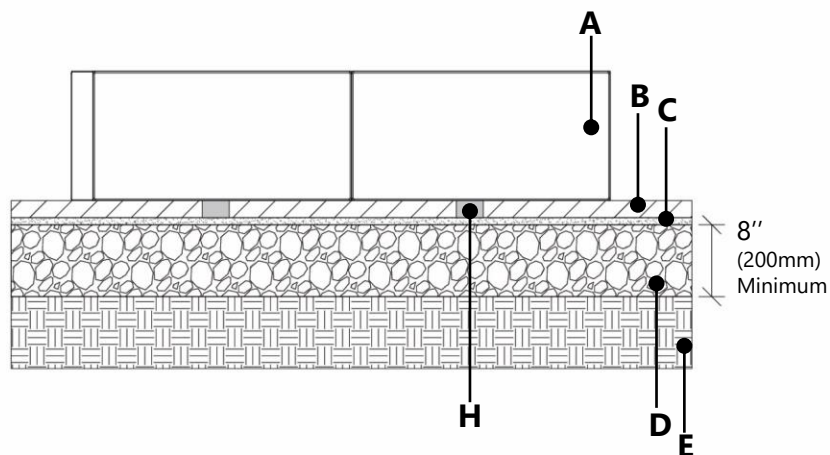


X=Stainless Steel Wood Screw Flat Head #10 x 2 1/2" **V= Stainless Steel Lag screws 1/4 x 2 1/2"** or **5/16 x 2 1/2"**
Y =Treated Concrete Anchor (Tapcon®) 1/4"x1 3/4" or **3/16"x1 3/4"** **Z=Stainless Steel Oversized Washer 5/16"**

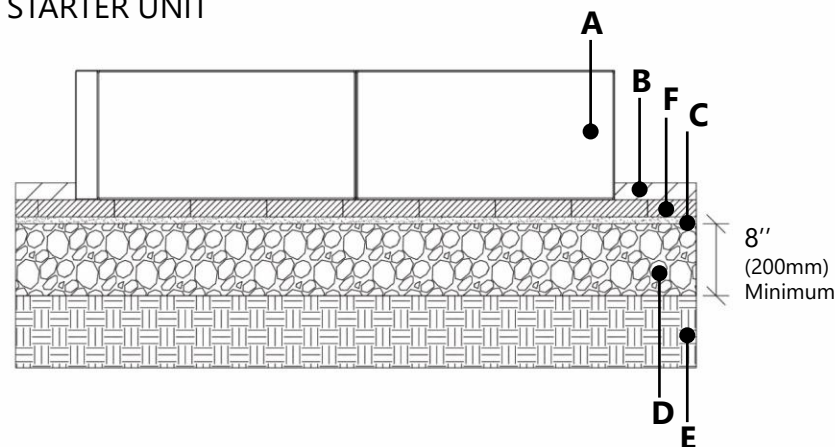
IMPORTANT: Other types of hardware (not included) may be required to make these assemblies (wood screws, concrete anchors, etc.).
PERMACON is not responsible for any issue regarding other materials, accessories, other types of hardware, etc. Refer to terms and conditions section. 21
We recommend consulting an expert/engineer to determine the maximum installation height of the screen panels based on wind loads.

BASE PREPARATION

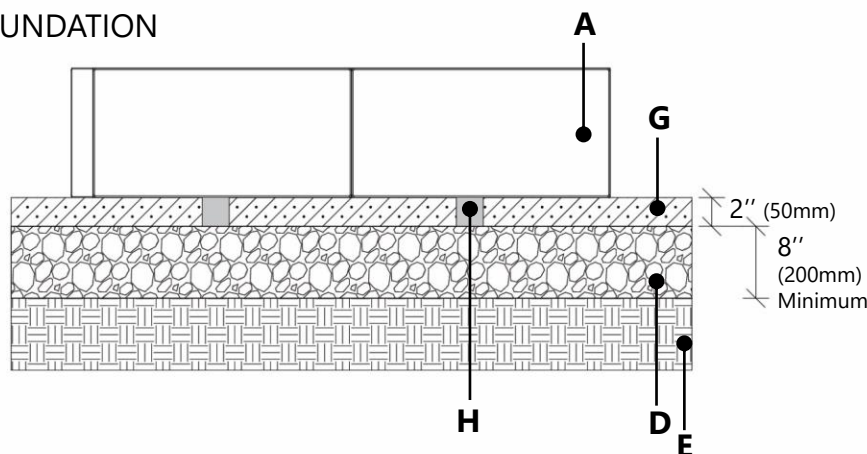
ON EXISTING PATIO



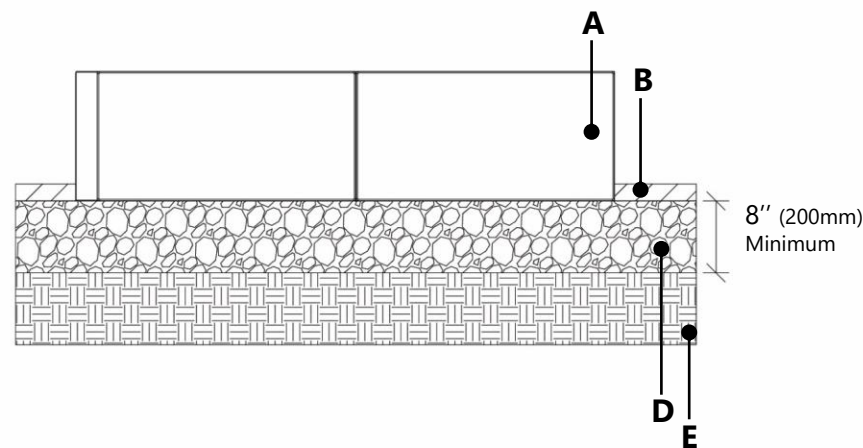
ON COMPACTED FOUNDATION USING STARTER UNIT



ON POURED CONCRETE FOUNDATION



ON COMPACTED FOUNDATION

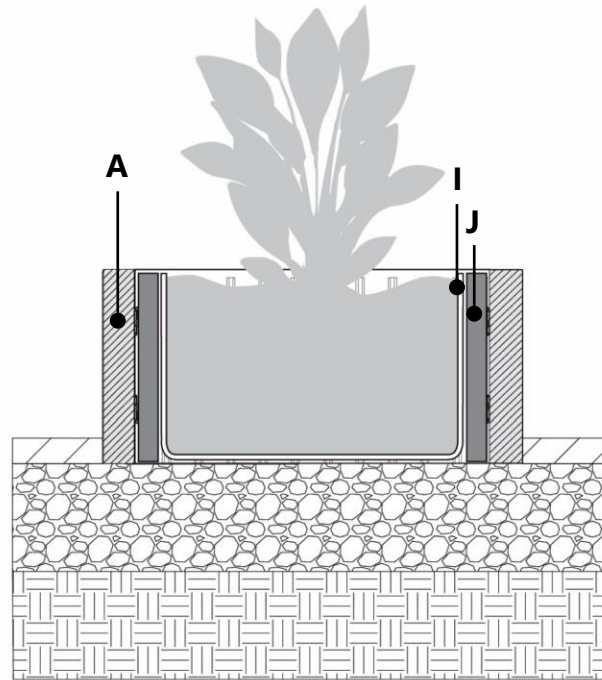
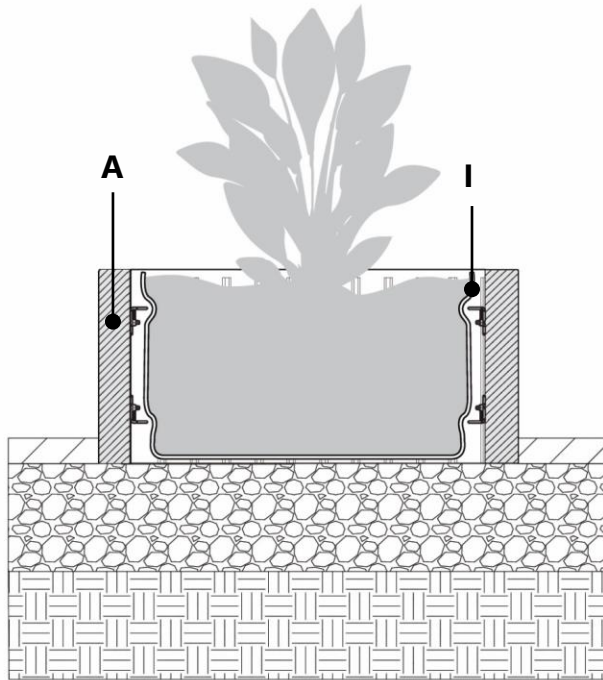


- | | |
|---------------------------------------------------|---------------------------------------|
| A- ARTEX Panels | E- Soil |
| B- Slab or Paver | F- Starter Unit/ Slab or Paver |
| C- Bedding Sand 1" (25mm) | G- Reinforced Poured Concrete |
| D- Compacted aggregates 8" (200mm) minimum | Foundation 2" (50mm) minimum |
| | H- Opening for drainage |

IMPORTANT: Provide adequate drainage and adjust according to soil type. Maximum height of **36"** for planter box and **42"** for outdoor living structure. Any higher structure must be designed by an engineer. Dimensions and information above are general recommendations only. Contact experts/engineers to validate the base preparation, the drainage, the plants & roots growth/management. The use of plastic shims can facilitate the installation of Artex panels in order to adapt to the slope of the site.

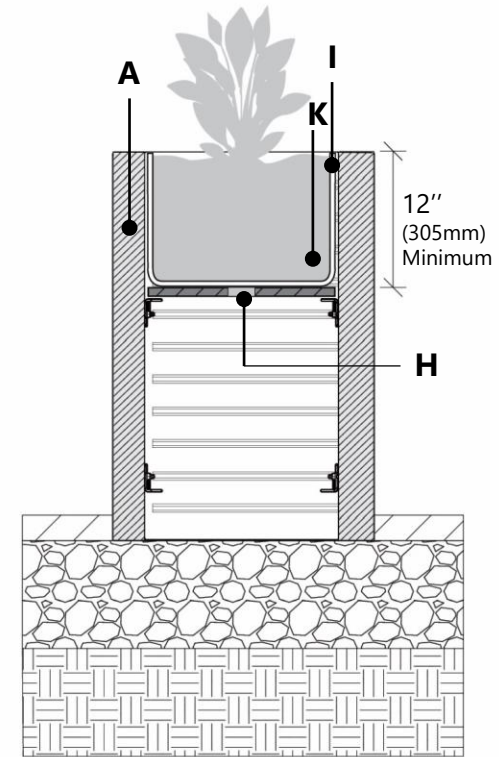
PLANTER BOX DETAIL

ON COMPACTED FOUNDATION



Recommended:

Place insulated panels to protect plants from cold conditions.



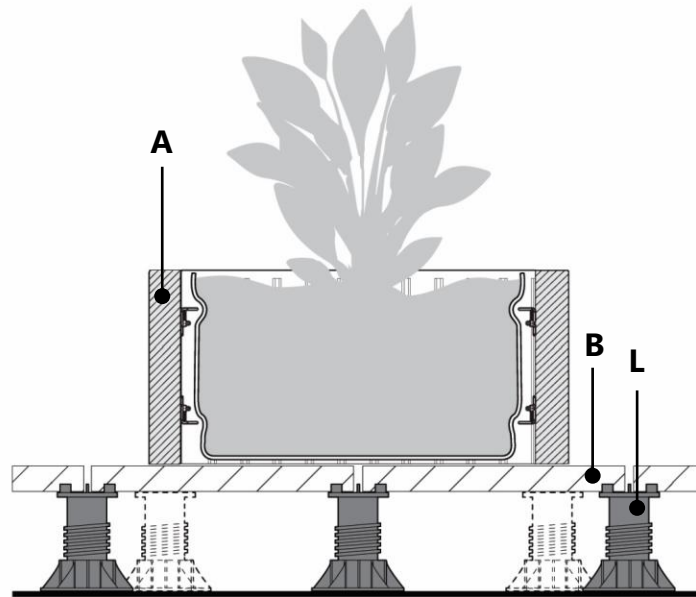
Recommended:

Place a cement board on top of the Artex hardware to reduce the amount of infill material.

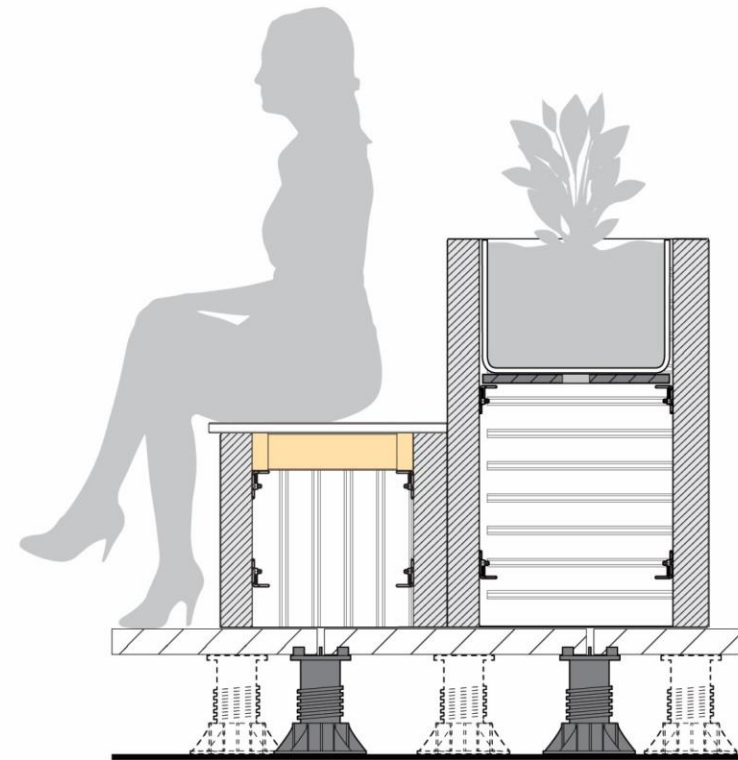
- | | |
|--------------------------------|------------------------|
| A- ARTEX Panels | K- Cement board |
| H- Opening for drainage | |
| I- Geotextile membrane | |
| J- Insulated panel | |

IMPORTANT: Provide adequate drainage and adjust according to soil type. Maximum height of **36"** for planter box and **42"** for outdoor living structure. Any higher structure must be designed by an engineer. Dimensions and information above are general recommendations only. Contact experts/engineers to validate the base preparation, the drainage, the plants & roots growth/management. The use of plastic shims can facilitate the installation of Artex panels in order to adapt to the slope of the site.

ROOFTOP APPLICATIONS



PLANTER BOX - SECTION VIEW

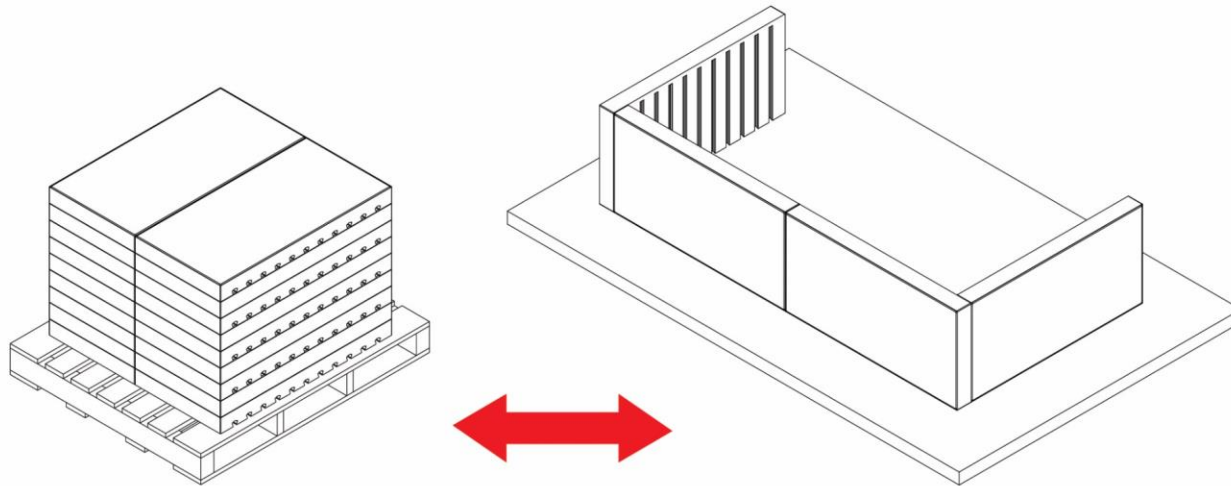


OUTDOOR LIVING STRUCTURE - SECTION VIEW

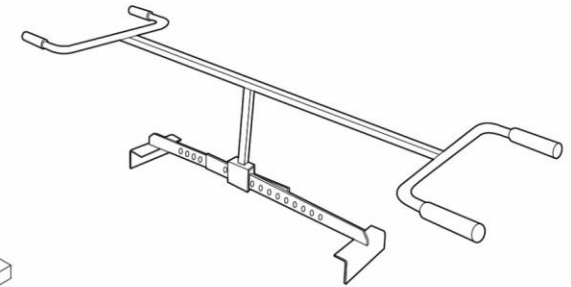
- A- ARTEX** Panels
- B-** Slab or Tile
- L-** Pedestal

IMPORTANT: Contact experts/engineers for proper staging on existing rooftop surfaces.

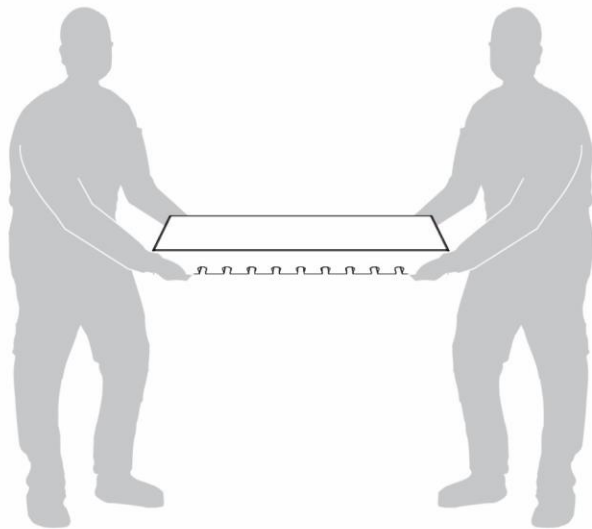
HANDLING



Place pallet close to installation area.



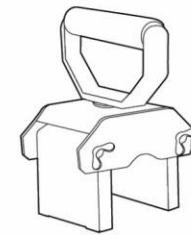
Recommended handling tool



Lift with two people or mechanical lifting device.



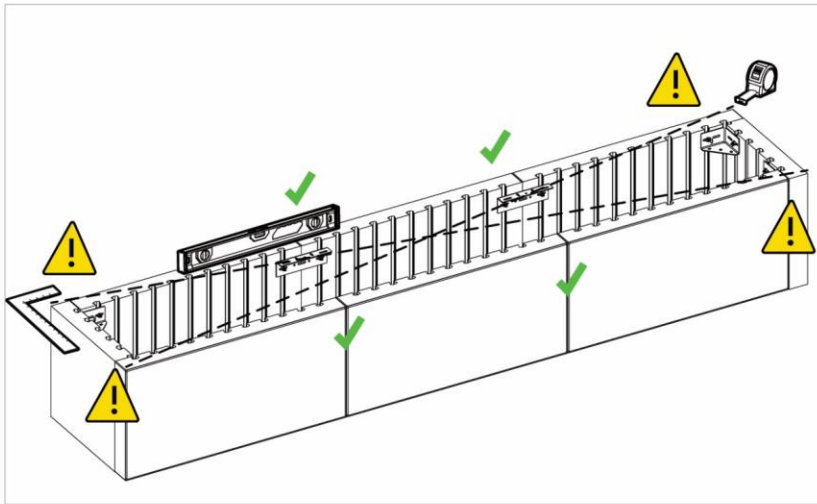
Use hand trolley if necessary.



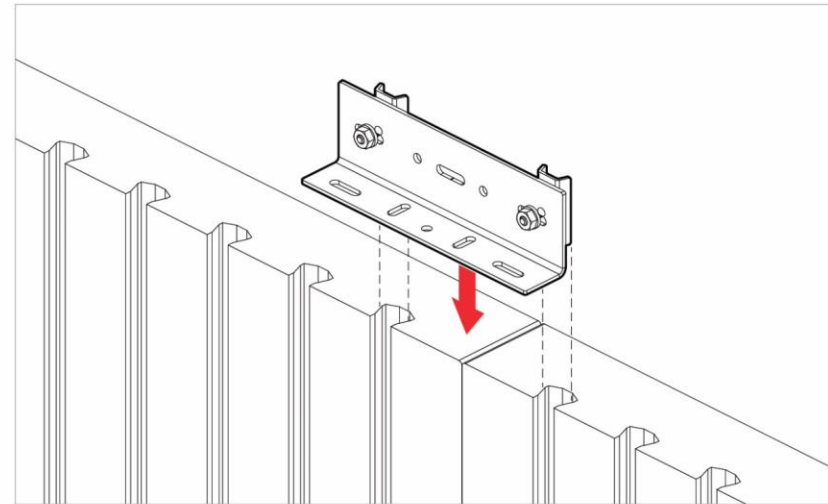
Recommended handling tool

TIPS AND TRICKS

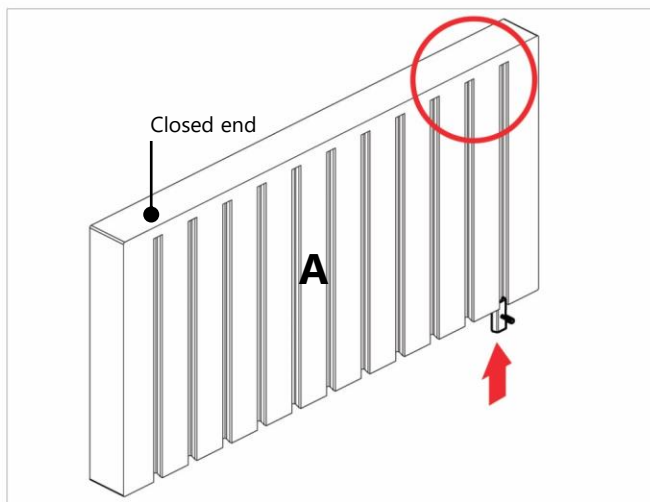
#1 [General]: Ensure that all the panels are in place, levelled & aligned before fully tightening the hardware in the corners at the end of the installation.



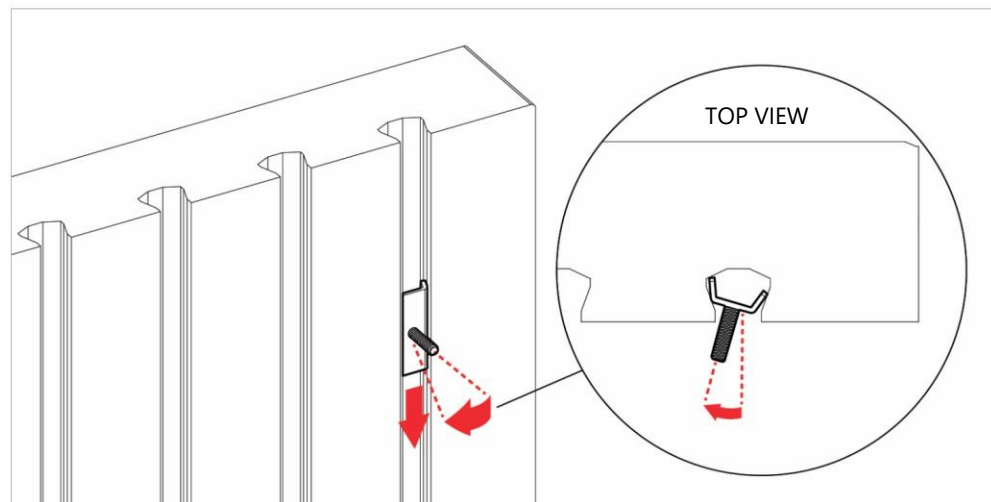
#2 [General]: Pre-assemble hardware to facilitate its installation. Ensure that all the panels are in place, levelled & aligned before fully tightening the hardware at the end of the installation.



#3 [Anchor slide]: Insert anchor slides from the bottom of the closed end panel (panel A) prior to its assembly.

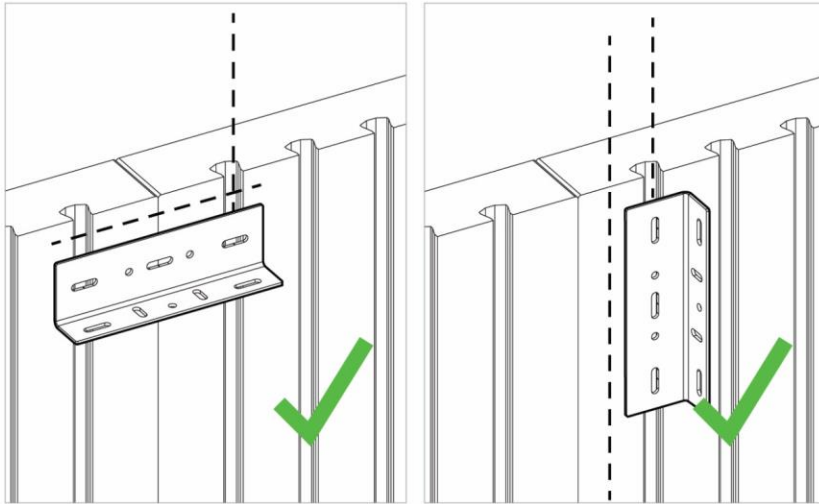


#4 [Anchor slide]: Insert the anchor slide. Lock it into place to prevent it from sliding down and to facilitate assembly.

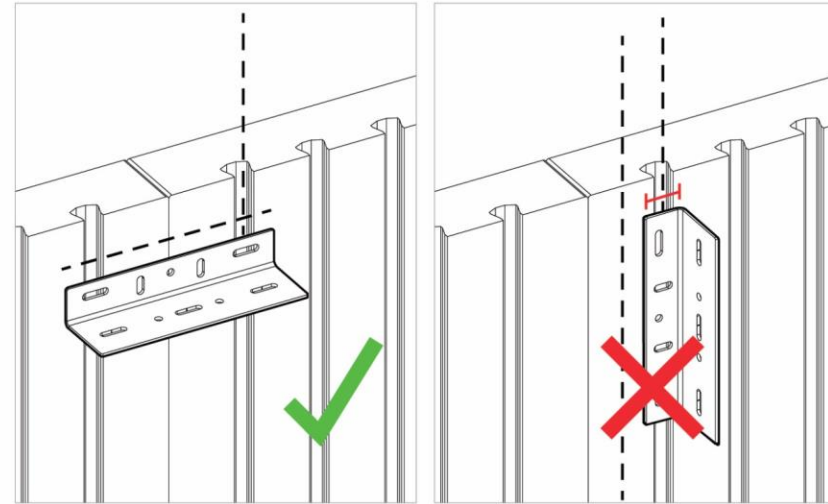


TIPS AND TRICKS

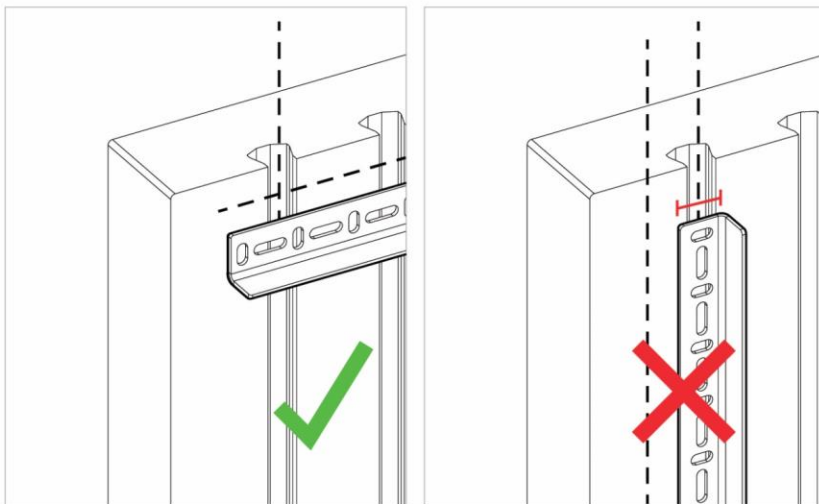
#5 [Joining plate]: Use the larger tab of the joining plate when it is perpendicular or parallel to the dovetail slot.



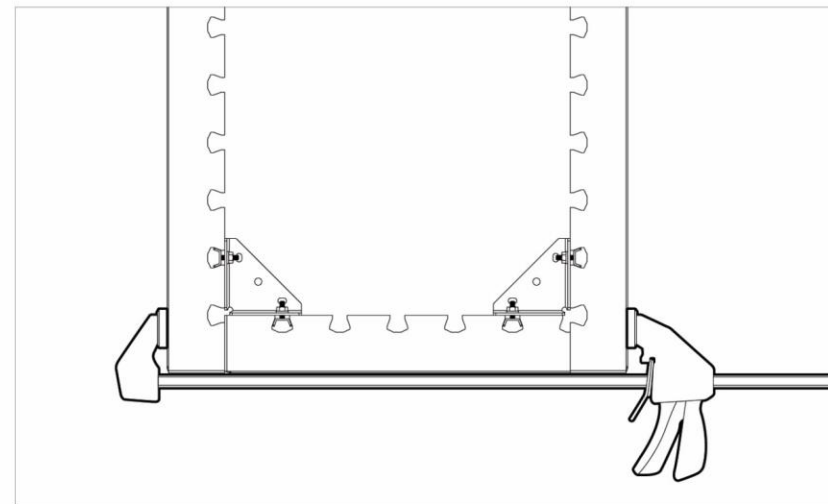
#6 [Joining plate]: Only when the joining plate is perpendicular to the dovetail, the small tab can be used. Otherwise, the overlapping surface will be too narrow.



#7 [Stretcher bar]: Use the stretcher bar when it is perpendicular to the dovetail. Otherwise, the overlapping surface will be too narrow.



#8 [Bar Clamp]: Use the bar clamp to keep the panels in place and to facilitate the hardware installation.



TIPS AND TRICKS

#9 [General]: If required it is possible to secure the **ARTEX** structure to the existing base by placing the hardware against it. Contact experts/engineers to validate the structure and any related matters.

